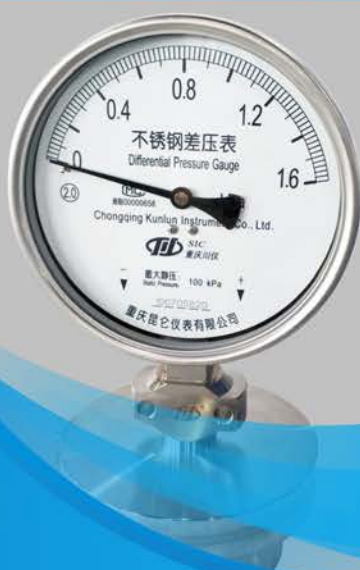




重庆川仪自动化股份有限公司  
CHONGQING CHUANYI AUTOMATION CO LTD



压力仪表  
Pressure Instruments





## 公司简介 Our profile

重庆昆仑仪表有限公司，由原机械工业部压力表定点生产厂改制成立，是“重庆川仪股份”所属子公司和压力仪表专业生产基地。公司是中国仪器仪表行业协会会员单位、全国压力仪表行业协会常务理事单位、全国压力仪表标准化技术委员会委员单位，参与了压力仪表行业各项国标、行标的制（修）订工作。公司在全国主要城市设有办事处或经销商，服务于数百家大型用户，并配套出口。

公司位于三峡库区中心城市、移民之城——重庆万州，紧邻万州火车站、高铁站及沪蓉高速公路。厂区环境幽静，是一座花园式现代化企业。拥有各类主要生产、试验检测设备一百六十余台，具备压力仪表全项性能试验能力。

公司质量保证体系完善有效，并通过 ISO9001 质量体系认证；装备精良、工艺成熟、质量稳定可靠。公司曾获评国家“二级计量单位”和重庆市“企业计量工作评定合格单位”。压力仪表系列产品，荣获“重庆名牌产品”称号，曾先后被评为部级一等品、省级优质产品和一等品、全国质量信得过产品，以品种全、质量优、售后服务好而著称，在用户中享有很高声誉。

公司拥有技艺精湛、善打硬仗，由（高级）工程师、（高级）技师、压力仪表检定员等各类中高级专业技术人员所组成的产品研发团队和生产检测人员队伍。数十年专业生产压力仪表的成功经验，必将助力于公司打造品质更为出色的压力仪表产品。

公司产品广泛应用于国防、航天、造船、机械、石油、化工、冶金、电站、轻纺、食品、医药、科研等行业，是中核集团压力仪表合格供应商、中石化压力表框架协议供方，重大工程项目业绩每年超过三百个。自 1973 年始建至今，已发展为覆盖一般压力表、精密压力表、船用压力表、氨压力表、膜盒压力表、耐震压力表、远传压力表、电接点压力表、不锈钢压力表、不锈钢微压膜片压力表、不锈钢差压表、隔膜压力表、气体减压器等十几个大类、一百多个品种、两千多个规格的完善产品体系，适应众多领域的典型需求，并提供现场压力仪表解决方案。

“川仪在用户身边，用户在川仪心中”。面对激烈的市场竞争，公司秉承“质量是第一竞争力”、“全心全意为用户做得更好”的发展理念，团结拼搏、开拓进取，为打造更值得信赖的产品品质和更贴近用户的售后服务、进一步增强核心竞争力而不断奋进。

Chongqing Kunlun Instrument Co.,Ltd. which was reorganized from original designated factory of pressure gauges of Ministry of Machinery Industry, is the constituent company of Chongqing Chuanyi Automation Co., Ltd. and the professional production base of pressure instruments. Chongqing Kunlun Instrument Co.,Ltd. is the member of China Instrument Manufacturer Association, and the Standing director of National Pressure Instrument Manufacturer Association and the member of National Technical Committee for Standardization of Pressure Instrument. Our company has participated in the formulation and revision of national and industrial standards of pressure instrument industry. Besides, the company has offices and dealers in main cities in China and supplies service for hundreds of large customers including export business.

The company is located in Wanzhou, Chongqing — the central city of Three Gorges Reservoir Region and the city of migrants, which is adjacent to the railway station, high-speed rail station and Shanghai-Chengdu Expressway. It's a quiet and garden-type-modernized plant, owns about 160 sets of production and testing equipment, which have the ability to make all performance experiments of pressure instruments.

The company owns a perfect quality-control system and has acquired ISO9001 Quality System Certification. Well equipment, mature technology and stable quality have made the company own a number of honors such as “The secondary unit of measurement” and “qualified metrological work of the enterprise”. Series of products of pressure instruments have been awarded “Chongqing brand-name product”, and rated as top quality goods in ministerial level, high and top quality goods in provincial level. The products are famous for the whole variety, quality distinctions, good after-sales service and enjoy a high reputation among customers.

The company owns the group of product research and testing, who are equipped with exquisite craftsmanship, formed by the (senior) engineers, (senior) technicians, pressure inspector, and other senior professional and mid-level technical personnel. The successful experience of professional production of pressure instruments in the decades of years will help the company build products with more excellent performance.

Our products are widely applied to the national defense industry, space industry, shipbuilding industry, machinery industry, oil industry, chemical industry, metallurgic industry, mining industry, power station, textiles, food industry, pharmaceutical industry and scientific research. The company is the qualified pressure instruments supplier for China National Nuclear Corporation and Sinopec, and supplies service for more than three hundred major engineering projects each year. Since 1973, the product system has covered the production of general pressure gauge, accurate pressure gauge, marine pressure gauge, ammonia pressure gauge, capsule pressure gauge, shake-resistant pressure gauge, transmissible pressure gauge, electric contact pressure gauge, stainless steel pressure gauge, diaphragm pressure gauge, differential pressure gauge, diaphragm seal pressure gauge, gas regulator, altogether a dozen classes, more than 100 kinds and 2000 different specifications of products. The production of company has adapted to the typical demand in many areas, and the company is glad to supply the solution of the locale pressure instruments.

“SIC accompanies customers and customers in the heart of SIC”. Faced with fierce market competition, all employees of company follow the development concept of “quality is the most important competitiveness of enterprise”, “do better for customer with all our heart”, hold together and forge ahead. We will try our best to make reliable products, supply user-friendly after-sales service and enhance the core competition ability.

## 目录 Contents

序号 Serial No.	编号 No.	摘要 Abstract	页码 Page No.
1	00.01	压力表简介 Introduction to pressure gauge	P01~P02
2	00.02	压力表选型及安装使用 How to select the proper pressure gauge and the installation application	P03~P06
3	04.06	YTF 内卡式不锈钢压力表 Stainless steel pressure gauge	P07
4	04.05	YTH 内卡式不锈钢(耐震)压力表 Stainless steel (shake-resistant) pressure gauge	P08-P09
5	04.04	YTQ 安全型(耐震)压力表 Safety type (shake-resistant) pressure gauge	P10
6	04.07	YQS 塑壳安全型压力表 Plastic case safety type pressure gauge	P11
7	02.04	YB 精密压力表, 不锈钢精密压力表 Accurate pressure gauge, Stainless steel accurate pressure gauge	P12~P13
8	03.03	YP 不锈钢(耐震)膜片压力表 (Shake-resistant) diaphragm pressure gauge	P14~P15
9	03.02	YE-100(150)H 不锈钢膜盒压力表 Stainless steel capsule pressure gauge	P16
10	03.04	YE-60H 不锈钢膜盒压力表 Stainless steel capsule pressure gauge	P17
11	03.01	YE 膜盒压力表 Capsule pressure gauge	P18
12	05.05	YTD 不锈钢变送式压力表 Stainless steel transmissible pressure gauge	P19
13	05.01	YTZ 远传压力表 Transmissible pressure gauge	P20
14	05.04	YXG 感应式防爆(耐震)电接点压力表 Inductive explosion-proof (shake-resistant) electric contact pressure gauge	P21
15	05.03	YXH 坚固型电接点压力表 Sturdy type electric contact pressure gauge	P22~P23
16	05.02	YX (耐震)电接点压力表(Shake-resistant) electric contact pressure gauge	P24~P25
17	06.00	Y-M 隔膜压力表 Diaphragm seal pressure gauge	P26~P30
18	06.01	MF/MG 法兰隔离器 Flange diaphragm seals	P31~P33
19	06.02	ML 螺纹隔离器 Standard thread diaphragm seals	P34
20	06.07	MLP 塑料螺纹隔离器 Plastic thread diaphragm seals	P35
21	06.03	MT 探入式隔离器 Extended diaphragm seals	P36
22	06.04	MC.MN 卫生型隔离器 Sanitary type diaphragm seals	P37
23	06.05	MD 管道式隔离器 Sandwich type diaphragm in-line seals	P38
24	06.06	MM 马鞍式隔离器 Saddle type diaphragm in-line seals	P39
25	07.01	CYP 双膜片差压表 Double diaphragms differential pressure gauge	P40
26	07.02	CYM 立式差压表 Diaphragm differential pressure gauge	P41
27	07.03	CYD 单膜片差压表 Single diaphragm differential pressure gauge	P42
28	07.04	CY 双波纹管差压表 Double bellows differential pressure gauge	P43
29	07.05	CYE/CYW 不锈钢微差压表 Micro-differential pressure gauge	P44
30	07.07	YCS 双针双管压力表 Double bourdon tubes pressure gauge YCSA 双针双管差压表 Double bourdon tubes differential pressure gauge	P45
31	07.11	YJP 不锈钢膜片式绝压表 Stainless steel diaphragm type absolute pressure gauge	P46
32	09.01	定位型压力表 Pressure gauge with comparison pointers 记忆型压力表 Pressure gauge with maximum pointer	P47
33	04.02	YQF 外卡式不锈钢(耐震)压力表 Stainless steel (shake-resistant) pressure gauge	P48
34	02.01	YTN 耐震压力表, 密封型压力表 Shake-resistant pressure gauge	P49
35	01.01	Y 一般压力表, 气体压力表, 氨压力表 General pressure gauge series	P50~P51
36	08.01	YQ 气体减压器 Pressure regulator	P52
37	09.02	压力表附件 Gauge accessories	P53~P57
38	00.03	企业资质 Qualification, 产品执行标准 Product executive standard	P58
39	00.04	近年典型业绩 Typical performance	封 3



## 压力表简介 Introduction to pressure gauge

### 压力测量基础 Basics of pressure measurement :

一般压力表以大气压力（表压零位）为测量基准。压力表（正压表）测量高于大气压力的正值；真空表（负压表）测量低于大气压力的负值；压力真空表（连程表）测量高于或低于大气压力的压力值。

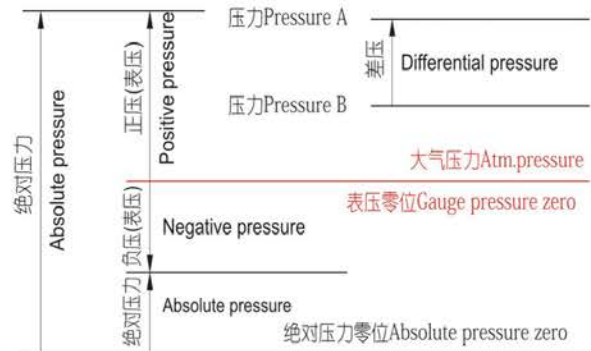
绝压表以绝对压力零位为基准，测量绝对压力值。

差压表直接指示两个相关压力间的差值。

General pressure gauge use atmospheric pressure(gauge pressure zero) benchmark. Pressure gauge (positive pressure gauge) measured pressure values above atmospheric pressure. Vacuum gauge (negative pressure gauge) measured below the atmospheric pressure of the negative pressure. Pressure-vacuum gauge (compound pressure gauge) measured above or below the atmospheric pressure of the pressure value.

Absolute pressure gauge use absolute pressure zero as the benchmark, measured the absolute pressure values.

Differential pressure gauge directly indicates the difference between two associated pressures.



### 机械式压力表 Mechanical pressure gauge :

在工业过程控制与测量过程中，由于机械式压力表的弹性敏感元件具有较高的机械强度，且生产方便、成本低廉，在各主要工业领域得到较为广泛的应用。

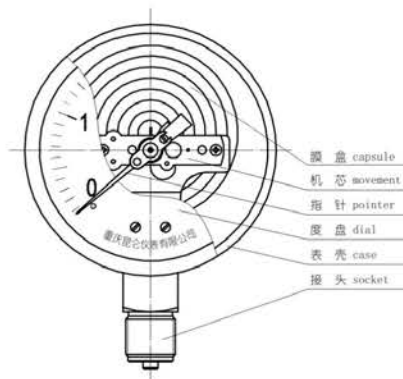
机械式压力表通常采用弹簧管（波登管）、膜片、膜盒或波纹管等弹性敏感元件。弹性元件在介质压力作用下产生的弹性变形，通过齿轮传动机构（机芯）放大，从而由指针在度盘上指示出相应的压力值。度盘的刻度范围通常制成  $270^\circ$ 。

During industrial controlling and measuring process, the elastic sensitive element of the mechanical pressure gauge is used widely in all kinds of industrial fields due to its high mechanical strength, low price and convenient production methods.

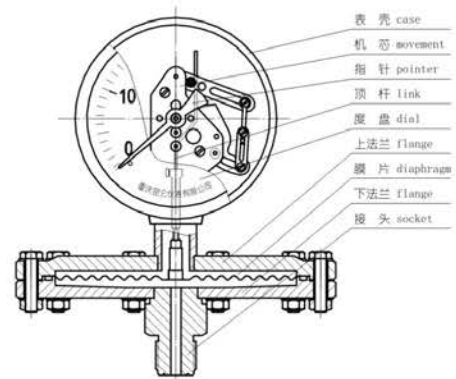
The mechanical pressure gauge is often made of Bourdon tube, diaphragm, capsule or bellow tube. These elements should be elastic deformed by the medium pressure. The signals would be enlarged by the movements, and the pointer should then be able to point to the number on the dial, to indicate the pressure. The effective measuring range on the dial is usually within  $270^\circ$  of a circle.



弹簧管压力表 Bourdon tube pressure gauge



膜盒压力表 Capsule pressure gauge



膜片压力表 Diaphragm pressure gauge

### 压力表的弹性元件 Sensitive elements of the pressure gauge :

压力表的弹性敏感元件随着压力变化而产生弹性变形，以间接测量介质压力。弹性元件一般由铜合金、不锈钢或特殊材料制成。

弹簧管分为 C 形管（波登管）、螺旋管、盘簧管等多种型式。弹簧管在内腔压力作用下，利用其固有的弹性特性，可以方便地将压力转变为弹簧管自由端的弹性位移。弹簧管的量程一般为  $0.1\text{MPa}\sim 250\text{MPa}$ 。

膜片的截面呈波纹状，本身被夹持于两片法兰之间，或焊接在法兰上，膜片下腔承受介质压力。膜片与波登管相比传递力更大，防振性较好，可达到较高的过压保护及耐腐蚀性。膜片压力表的量程通常为  $1\text{kPa}\sim 2.5\text{MPa}$ 。

膜盒由两块对扣在一起的膜片组成，介质压力作用在膜盒腔内侧。几个膜盒敏感元件叠在一起后（波纹管）会产生较大的传递力来测量极小的压力。膜盒压力表的量程通常为 250Pa~60kPa。

The elastic sensitive element of the pressure gauge should be deformed plastically, to measure the medium pressure. The element is usually made of copper alloy, stainless steel or other special material.

Bourdon tube should be divided into types such as C type tube, Spring tube or spiral type tube. The Bourdon tube should turn the pressure into the distance moved by the elastic character. The measuring range for the Bourdon tube is usually 0.1~250MPa.

The cross section of the diaphragm is usually wavy. The diaphragm is placed between two flanges, or is melt on the flange. On one side the diaphragm is sustaining the pressure from the medium. The diaphragm should deliver bigger force than Bourdon tube, and should better used in vibrating environment. And it should be protected against higher overpressure and erosive medium. The measuring range of diaphragm pressure gauge is usually 1kPa~2.5MPa.

Capsule is made of two pieces of diaphragms against each other. The medium places pressure inside the capsule. Several capsule elements are placed one on top of each other and should detect very small pressure by enlarging the signal into bigger force. The measuring range for capsule is usually 250Pa~60kPa.

### 压力表的分类 Types of pressure gauge:

压力表按精确度，可分为精密压力表和一般压力表。精密压力表的精确度等级通常为 0.25、0.4 级，一般压力表的精确度等级通常为 1.0、1.6、2.5 级，仪表的精确度等级由测量上限 90%以下部分的基本误差限决定。基本误差限依据仪表量程及精确度等级，按引用误差计算，如测量范围(0~6)MPa、1.6 级仪表，其基本误差限为  $\pm(6 \times 1.6\%)MPa = \pm 0.096MPa$ 。

压力表按测量范围，分为真空表、压力真空表、微压表、低压表、中压表及高压表。真空表用于测量小于大气压力的压力值（负压）；压力真空表用于测量小于及大于大气压力的压力值（正负压）；微压表的测量上限不大于 60kPa；低压表的测量上限不大于 6MPa；中压表的测量上限不大于 60MPa；高压表的测量上限为 100MPa 或以上。

防震压力表的表壳被制成全密封结构，且在表壳内填充阻尼油。由于其阻尼作用，仪表可使用在工作环境振动或介质压力（负荷）脉动的场所。

电接点压力表带有电接点控制开关，可以实现发讯报警或控制功能。带有隔离防爆或本安防爆功能的电接点压力表，可使用在相应的爆炸性危险场合。

远传压力表带有电信号发送装置，可提供工业过程中所需要的电信号（比如电阻信号或标准直流电流信号）。

隔膜压力表所使用的隔离器（化学密封），能通过隔离膜片将被测介质与仪表隔离，以测量强腐蚀、易结晶、易凝固介质的压力。

Pressure gauge should be divided into two categories according to its accuracy: Precise pressure gauge and generally pressure gauge. The accuracy of precise pressure gauge: 0.25, 0.4 grade. The accuracy of generally pressure gauge: 1.0, 1.6, 2.5 grade. The grade of accuracy is determined by the intrinsic error outside of 90% of the measure range. The intrinsic error standard is determined by the accuracy grade and its measuring range. For example, the intrinsic error standard for a gauge with (0-6)MPa and 1.6 grade, its intrinsic error standard should be  $\pm(6 \times 1.6\%) = \pm 0.096MPa$

Pressure gauge should be divided into different types by its measuring range: vacuum pressure gauge, compound pressure gauge, micro pressure gauge, low pressure gauge, middle pressure gauge and high pressure gauge. The vacuum pressure gauge is used to measure the negative pressure that is lower than the standard atmospheric pressure. Compound pressure gauge is used to measure the pressure that is either higher or lower than the standard atmospheric pressure. Micro pressure gauge could not measure more than 60kPa, low pressure gauge could not measure more than 6MPa, middle pressure gauge could not measure higher than 60MPa and high pressure gauge could measure higher than 100MPa.

Shake-resistant pressure gauge contains an airtight type case, with liquid filled case for applications with high dynamic pressure loads or vibrations.

Electric contact pressure gauge contains an electrical contact switch, which should be used for alarming or controlling functions. The electric contact pressure gauge with an isolated explosion-proof or intrinsically safe explosion-proof function can be used for a corresponding explosive hazardous situation.

Transmissible pressure gauge contains a remote transmission structure and should be used to deliver the electrical signals (such as resistance signal or direct electrical current signal) during industrial process.

Diaphragm seal pressure gauge contains a diaphragm seal, which could separate the medium with the gauge effectively by the diaphragm, to measuring the pressure of medium which is strong corrosive, high temperature, aggressive and highly viscous, containing suspended matter or crystal.



## 压力表选型及安装使用

### How to select the proper pressure gauge and the installation application

#### 压力表的选型事项 Issues related to pressure gauge selection:

1. 仪表名称及型式。完整的仪表名称，可能包含仪表的测量元件型式、材质、用途及特殊功能事项的描述。

Name and category of the pressure gauge. The complete name, including the types of measuring element, material, use and other special accommodations.

2. 仪表型号：参见本手册中各类仪表型谱。压力表行业没有统一型谱，不同制造商的产品型号间可能会存在差别，型号结合制造商名称会有助于明确选型事项。

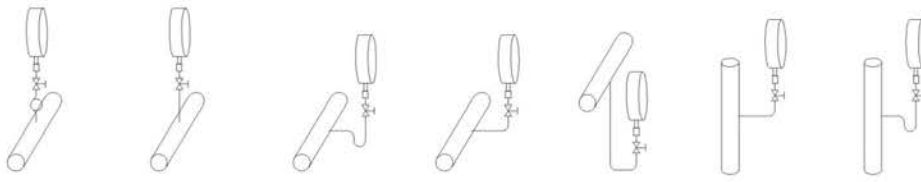
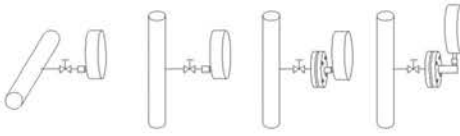
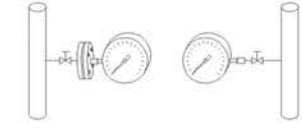
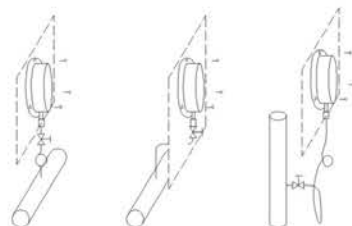
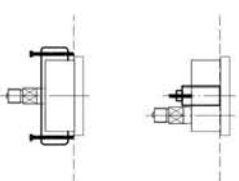
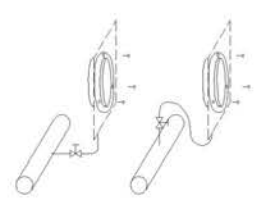
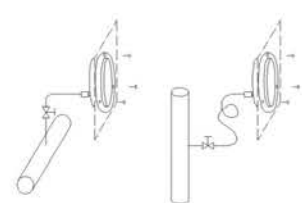
Types of the gauge. Please refer to the manual for the gauge types. There is no uniformed type in this industry and different manufacture should have different models. It's best to consider the manufacture and the types of the gauge during selection.

3. 仪表外壳公称直径： $\Phi 60$ ， $\Phi 100$ ， $\Phi 150$ ， $\Phi 200$ ， $\Phi 250$ 。合理的外壳公称直径由仪表安装位置与观测者间的距离决定。

Diameter of the gauge case.  $\Phi 60$ ， $\Phi 100$ ， $\Phi 150$ ， $\Phi 200$ ， $\Phi 250$ . Proper case diameter is determined by the location of the installation and the distance between the gauge and the observer.

4. 安装方式：现场仪表通常选用直接安装方式，墙装（凸装）仪表带后边，盘装（嵌装）仪表带前边。

Types of installation: it should be direct mounting, wall mounting, or panel mounting.

安装方式 Mounting type	示意图 Example drawings			
径向直接式 (径向无边) Bottom mounting				
轴向直接式 (轴向无边) Back mounting		侧装式 (9/3点方向) Side mounting, 9 or 3 o'clock		
径向墙装式 (径向后边) Bottom with back flange			轴向卡装式 (轴向无边带背卡) Back with U clamp (*a,*b)	
径向盘装式 (径向前边) Bottom panel with front flange (*a)			轴向盘装式 (轴向前边) Back panel with front flange (*a,*b)	

注：\*a 仪表盘推荐开孔尺寸（下限）Dim. of the panel hole(min.) 60型： $\Phi 63\text{mm}$ ；100型： $\Phi 103\text{mm}$ ；150型： $\Phi 153\text{mm}$ 。

\*b 轴向盘装仪表的接口与表壳间的偏心距没有统一标准，各厂商产品间可能存在差异。用于维修更换的轴向盘装表应考虑不同产品间该尺寸的兼容性。

5. 测量范围：正常操作压力与测量上限间的合理比例，静压不应超过  $3/4$ ，动压不应超过  $2/3$ 。对差压表，还应根据单边压力值选取相适应的仪表最大静压。

压力表的短时过压能力通常为测量上限的  $125\text{-}130\%$ 。如最大操作压力有超过此限度的可能性，应在表前设置过压保护器。

压力表的弹性元件依据测量范围的标准系列设计。按下表标准规格选取测量范围，更有利于保持弹性元件的最佳性能状态。

Measuring range: it should be a proper proportion between the working pressure and the full scale for the gauge. The static pressure should not be over 3/4, and the active pressure should not be over 2/3 of the full scale. For the differential pressure gauge, the maximum static state pressure should also be determined by the one side pressure value.

The elastic element of the pressure gauge is designed according to the measuring range. Please use the following standard to select measuring range, to make sure the elastic element at the optimum state.

正压 Positive pressure 微正压 Micro-positive pressure	0 ~ (0.1/0.16/0.25/0.4/0.6/1/1.6/2.5/4/6/10/16/25/40/60/100/160/250) 0 ~ (1/1.6/2.5/4/6/10/16/25/40/60) 0 ~ (250/400/600)	MPa kPa Pa
负压 Negative pressure 微负压 Micro-negative pressure	-0.1 ~ 0 -(1/1.6/2.5/4/6/10/16/25/40/60) ~ 0 -(250/400/600) ~ 0	MPa kPa Pa
正负压 Positive and negative pressure	-0.1 ~ (0.06/0.15/0.3/0.5/0.9/1.5/2.4) -0.5~-0.5/-0.8~-0.8/-1.2~-1.2/-2~-2/-3~-3/-5~-5/-8~-8/-12~-12/-20~-20/-30~-30 -120~-120/-200~-200/-300~-300	MPa kPa Pa

仪表所采用的压力计量单位，通常为国际单位制 MPa, kPa, Pa。当采用其它单位时，可按下表进行换算。

The measuring range of the pressure gauge uses MPa, kPa and Pa as unit. When adopting other types of units, please calculate the pressure range by the following table.

换算前 \ 换算后	兆帕 MPa	帕斯卡 Pa	巴 bar	标准大气压 atm	公斤/厘米 <sup>2</sup> kgf/cm <sup>2</sup>	毫米水柱 mmH <sub>2</sub> O	毫米汞柱 mmHg	磅力/英寸 <sup>2</sup> psi(bf/in <sup>2</sup> )
1 MPa =	1	1000000	10	9.8692	10.1972	101972	7500.62	145.04
1 Pa =	0.000001	1	0.00001	0.00001	0.00001	0.10197	0.0075	0.00014
1 bar =	0.1	100000	1	0.98692	1.01972	10197.2	750.062	14.504
1 atm =	0.101325	101325	1.01325	1	1.0332	10332	760	14.7
1 kgf/cm <sup>2</sup> =	0.098067	98067	0.98067	0.9678	1	10000	735.6	14.22
1 mmH <sub>2</sub> O =	0.0000098	9.8067	0.000098	0.000097	0.0001	1	0.07356	0.00142
1 mmHg =	0.000133	133.32	0.001333	0.00132	0.00136	13.5951	1	0.01934
1 psi(bf/in <sup>2</sup> ) =	0.006895	6894.757	0.068948	0.06805	0.07031	703.07	51.7149	1

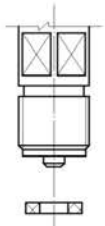
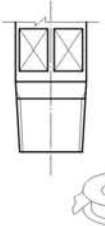
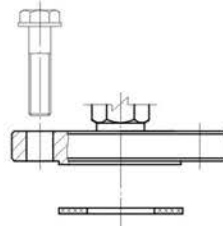
6. 一般压力表精确度等级分为 2.5/1.6/1.0 级，精密压力表精确度等级分为 0.4/0.25 级。1.5 级是 1986 版老国标规定的等级，自 2001 年起被新国标中的 1.6 级替代。

膜盒压力表、差压表、外壳公称直径 Φ60 及以下仪表，精确度等级通常为 2.5 级，部分规格可提高至 1.6 级供货；外壳公称直径 Φ100 及以上的其它仪表，精确度等级通常为 1.6 级，部分规格可提高至 1.0 级供货。

Accuracy: 1.0/1.6/2.5 degree. 1.5 degree is the state requirement in 1986 national standard. From 2001 the new requirement has demanded to adopt 1.6 degree. The capsule pressure Gauge, differential pressure gauge, and any gauge that has a diameter <60 mm, have a standard accuracy of 2.5 degree. Some of them could be improved to 1.6 degree. Any gauge that has a diameter of >100mm has standard accuracy of 1.6 degree. Some of them could be improved to 1.0 degree.

7. 过程连接方式及规格：外螺纹连接或法兰连接是压力表的通用连接方式。夹子式、螺栓式、螺母式等是卫生型隔膜压力表的可选连接方式，特殊工况还可以选择高压扣、VCR、软管接头、内螺纹等连接方式。

The process connection and their standards: male thread or flange connection are the typical way to connect a pressure gauge. Clamp style, Bolt style and Nut style are the ones for sanitary type diaphragm seal pressure gauge. There are other connection types including 9/16 autoclave, VCR, Capillary connector and female thread.

外螺纹 (圆柱) Male thread(parallel) Φ60: M14×1.5, G1/4 >Φ100: M20×1.5, G1/2	外螺纹 (圆锥) Male thread(tapered) Φ60: ZG1/4(R1/4), 1/4NPT >Φ100: ZG1/2(R1/2), 1/2NPT	法兰 Flange HG/T20592, HG/T20615, GB/T9112~9124, DIN2501, ANSI B16.5, JIS B2220
 <p>端面密封 密封垫片 Flat seal with gasket</p>	 <p>螺纹面密封 聚四氟乙烯生料带 Thread seal with PTFE tape</p>	 <p>法兰面密封 密封垫片 Flange seal with gasket</p>

8. 泵出口类有环境振动或压力脉动的工位应选用充油防震压力表，并指定表壳填充液类型。通常提供甘油，对低温工况或用于冬季较寒冷的地区，推荐采用硅油。对强氧化剂、湿氯等特殊介质，应考虑其与阻尼油混合后的燃烧或爆炸类潜在危险。



对气体类不易堵塞的脉动介质，在螺纹接头导压孔端部采用阻尼螺钉具有明显的阻尼效果。

liquid filled shake-proof pressure gauge should be used for pressure pulsation and vibration case in pump outlet. The type of fill fluid should also be specified. Glycerin is the default fluid, and the silicon oil is recommended for cold weather. For the medium with strong oxidizer or wet chlorine, explosion consideration should be taken into account when they are mixed with glycerin and silicon oil.

9. 用于高温工况的仪表，应采用不锈钢材质，并选用相适应的表前散热装置。如散热器、冷凝圈或工字法兰等。

For high temperature, the material should adopt stainless steel. Cooling device should also be considered, such as radiator, siphon tube or H type Flange.

10. 仪表的外壳防护等级，采用罩圈+螺钉壳体结构时通常为 IP54 级，采用密封型壳体结构时至少为 IP65 级。用于户外严酷气候条件的仪表通常不低于 IP65 级。

The protection proof should use IP54 when the structure is cover ring and screw. IP65 when the case structure is airtight. IP65 suitable for field mounting.

11. 用于氧、氢、氨、乙炔等特殊介质的仪表，应标明介质类型。测量氢、氧类介质的仪表应按相关规范采取严格的脱脂禁油措施；测量乙炔介质的仪表接液元件的含铜量不得大于 70%；测量氨气、液氨介质的仪表不得采用未经涂镀的铜制件。

For gauge used for special medium such as oxygen, hydrogen, ammonia and acetylene, the medium type should be indicated. The gauge measuring hydrogen and oxygen should go through strict process of oil degreasing. The gauge measuring acetylene should not contain more than 70 percent of copper. No copper component should be used in gauge measuring ammonia and fluid ammonia.

12. 电接点压力表的的操作电气参数及控制方式，特别是电压参数，比如：220VAC、24VDC 等。并注意识别防爆环境要求。

The electric connector pressure gauge should indicate the voltage standard such as 220VAC or 24 VDC.

13. 明确仪表各主要部分的材质或牌号。比如：外壳、测量元件、接头、玻璃、传动机构材质；隔膜压力表的膜片、密封液、法兰（或螺纹）接液材质。

The material or the codes for the major parts of the gauge, such as the case, measuring element, socket, glass, movements; the diaphragm material, sealing fluid, flange or thread wetted material of the diaphragm seal pressure gauge.

## 压力表的安装和使用 Installation and use of the pressure gauge:

1. 确认仪表有合格证或准用资格，包装盒及度盘应有制造商名称、制造计量器具许可标志及编号。

Confirm the gauge has qualification certificate, the package and the dial has the name of the manufacture and the CMC license number.

2. 确认仪表型式、测量范围、安装方式、连接规格、材质等，均应与安装工位的实际工况相适应。

Confirm the types of gauge, measuring range, type of installation, connector type, materials. All of them should accommodate the actual working conditions.

3. 仔细阅读产品说明书，必要时向制造商进行咨询。

Read the user manual carefully and call the manufacture when necessary.

4. 用于测量氢、氧等特殊气体介质的压力表，应注意度盘上的相应标志。氧压力表应采取相应措施、严格禁油。

For special pressure gauge measuring oxygen and hydrogen, pay attention to the label on the dial. Oxygen pressure gauge use should take precaution such as prohibit oil.

5. 当工作介质为非气体时，安装处和测量点应处于同一高度水平上，否则应计入相应液位差所引起的附加误差。

When the medium is not gas, the installation position and measuring position should be at the same altitude. Otherwise, the fluid height error should be considered in.

6. 装卸螺纹连接式仪表时，应使用扳手等工具扳动接头四方部位。直接扳动表壳以旋动螺纹可能造成仪表损坏。

The uninstallation of thread connection type gauge, the wrench should be used on the squared part. Directly tweaking case to uninstalation the thread connection could damage the gauge.



7. 盘装仪表安装时应注意使导压接口与仪表接口轴线重合。不重合时强行拧紧螺纹, 可能使表壳结构无法支撑而导致变形损坏。  
 The axis of the pipe and the gauge should match when installing on the panel. When there is no match, no forced connection is allowed, since it might cause the case deformed.

8. 法兰连接式仪表, 应注意所使用的法兰垫片与膜片结构间的适应性, 并在安装中尽量保持上下法兰间各向间隙及压紧力均匀。  
 For Flange type gauge, make sure the connection pressure is evenly distributed between the flanges and gaps while installation.

9. 禁止松动隔膜压力表表头、连接器及隔离器间的连接螺纹 (通常有红色封印), 以免隔膜填充液外泄造成仪表损坏失效。

Don't disassemble the thread between the gauge head, connector and diaphragm seals, for the diaphragm seal pressure gauge (usually with red sign).



10. 不要尝试松动膜片压力表两片法兰间的连接螺栓, 以免仪表失准或泄漏。

Don't disassemble the connection thread between the two flanges of the diaphragm pressure gauge. It will make the gauge read wrongly or fluid leaking.

11. 仪表在试机运行或开阀试压时, 应注意缓慢开阀, 并保持压力基本平稳, 以免因过压损坏仪表。可能的过量程操作, 应在仪表被表前阀隔离或被拆卸后进行。

Please open the valve slowing when testing the pressure gauge, so that the pressure is even and not damaging the gauge. Before procedures requiring over pressure, the gauge should be detached or separated.

12. 差压表的高低压接口不能反接, 并应在表前设置平衡阀 (比如带平衡阀的三阀组)。平衡阀在接通或关闭压力时应被打开。

Such as the differential pressure gauge, the direction of the connection should not be reversed for higher and lower pressure. An equalization valve might be used in front of the gauge (such as the 3 valve-manifold with equalization valve). The equalization valve should be turned on when turning on and off pressure.

13. 耐震型或壳体密封型压力表, 完成安装后, 应在表壳外缘上部的橡胶塞上开小孔, 使表壳内部与大气压力连通, 以消除由于仪表内压的可能变化所带来的附加误差。此措施对量程 0.6MPa 以下仪表尤为重要。

部分仪表密封塞带有通气开关, 该开关在检定或工作状态下应被打开 (OPEN), 运输或贮存状态下应被关闭 (CLOSE)。

Shake-proof or air tight case gauge should have a small opening on the rubber plug on the top of the gauge after installation, so that the air pressure could reach inside the gauge and eliminate the additional error because of the pressure difference. This is particularly important for pressure gauge measuring less than 0.6MPa.



14. 带电气附加装置的仪表, 应注意电气及防爆参数的匹配性, 并在确认接线无误后方可通电试机。

For gauge with electrical connector, pay attention to match the voltage and other data. Connect the gauge only after confirming everything is connected right.

15. 即使已经采取了相适应的表前散热措施, 仍应考虑高温 (低温) 工况下, 仪表的温度影响示值误差。

Pay attention to the temperature impact error even if there are procedures to distribute excessive heat.

16. 除非确认表前阀门已关闭, 否则不要拆卸工作中的仪表。

Don't uninstall the working gauge unless the valves are all closed.

17. 一般压力表的检定周期一般不超过半年, 精密压力表的检定周期一般不超过一年。如发现示值不稳定、失准或指针跳动等异常情况, 应立即停用并及时查找原因, 经重新校准检定合格后方能使用。

Inspect the gauge at least half a year (general pressure gauge) or one year (precise pressure gauge). Stop using the gauge when the indicator is not stable, not accurate or vibrating. Find the reason and correct it. Please re-calibrate the gauge before using again.

18. 仪表应室内贮存, 并避免靠近热源。经使用拆卸后的仪表可能残留介质, 一些介质有毒有害, 应避免外泄造成的可能危害。

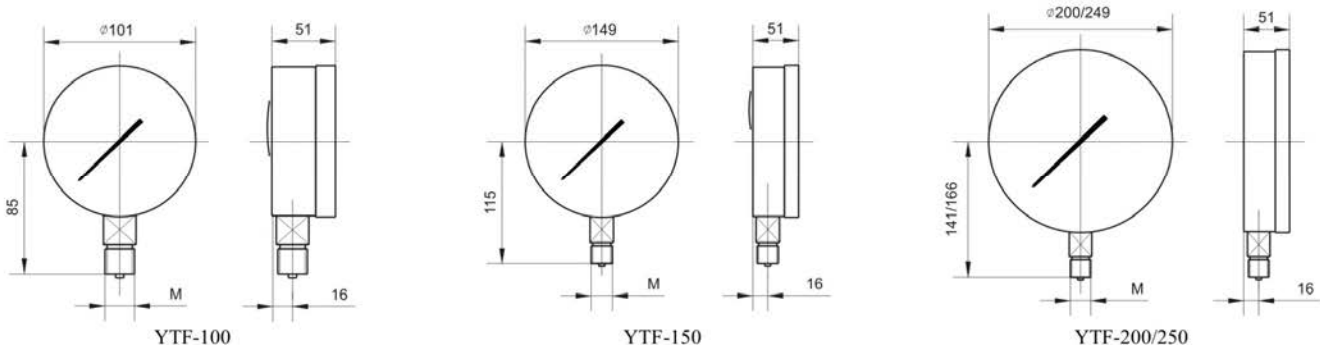
The gauge should be stored inside and stay away from heat source. The un-installed gauge could have harmful medium attached to it and precaution should be used.



## YTF 内卡式不锈钢压力表 Stainless steel pressure gauge

	
YTF 内卡式不锈钢压力表	YTF Stainless steel pressure gauge (Inside bayonet)
YTF-100/150/200/250 外径: $\Phi 100/150/200/250$	YTF-100/150/200/250 Diameter: $\Phi 100/150/200/250$
适用于测量无爆炸、结晶、凝固倾向, 对奥氏体不锈钢无腐蚀作用的液体、气体等介质的正压、负压或正负压。	Suitable for measuring the positive and negative pressure of the liquid, gas medium, which does not explosion, crystal, solid, and does not corrosion to the Cr-Ni stainless steel.
内卡式壳体结构 (非全密封), 表壳与接头采用螺钉连接 外壳防护等级 GB/T 4208IP55 级	Inside bayonet type case construction (non-airtight type) Protection proof: GB/T 4208 idt IEC 60529 IP55
外壳: 304S.S. (316L 可选) 弹簧管: 316L S.S. 接头: 304/316L/321 S.S. 测量系统采用氩弧焊 传动机构: 304S.S. 铝度盘, 白底黑字 钢化安全玻璃 内部限止装置 安全泄压装置: 向后释放	Case: 304S.S. (316L S.S. available) Bourdon tube: 316L S.S. Socket: 304/316L/321 S.S. Measuring system: argon arc welding Movement: 304S.S. Dial: aluminum, white, black lettering Safety reinforced glass Internal limit stop device Safety blow out: back
外径: $\Phi 100/150/200/250$ 精确度: $\pm 1.6, 1.0\%F.S.$ 量程: 0.1MPa~160MPa 连接规格: M20 $\times$ 1.5, 其它规格可选	Diameter: $\Phi 100/150/200/250$ Accuracy: $\pm 1.6, 1.0\% F.S.$ Span: 0.1MPa~160MPa Connection: M20 $\times$ 1.5, other connection available
正常工作环境振动条件: GB/T 17214.3 V.H.3 级 正常工作环境温度: -40~70℃ 安全工作介质温度: <200℃ 温度影响: 当使用环境温度偏离 $20 \pm 5^\circ\text{C}$ 时, 仪表的示值误差影响量不大于 0.04% F.S./℃	Shake-resistant grade: GB/T 17214.3 V.H.3 degree Ambient and medium temperature: -40~70℃ Safety medium temperature: <200℃ Temperature impact: temperature additive errors should not above 0.04% F.S./℃, when the temperature deviates from $20 \pm 5^\circ\text{C}$
执行标准: GB/T 1226-2017	Executive standard: GB/T 1226-2017
氧用型脱脂禁油	Oxygen type: prohibit oil
仅提供径向直接安装方式 不提供耐震型, 如需充油耐震请选用 04.05 YTHN	Bottom mounting only Dry type only (non- shake-resistant)
型号表示方法可参考 04.05 YTH	How to order: refer to 04.05 YTH

### 外形尺寸 Dimensions:



## YTH 内卡式不锈钢（耐震）压力表 Stainless steel (shake-resistant) pressure gauge

	
YTH 内卡式不锈钢压力表 Stainless steel pressure gauge (Inside bayonet)	YTHN 内卡式不锈钢耐震压力表 Stainless steel shake-resistant pressure gauge (Inside bayonet)
YTH-60/100/150/200/250 外径 Diameter: Φ60/100/150/200/250	YTHN-60/100/150/200/250 外径 Diameter: Φ60/100/150/200/250
<p>推荐产品，适应工业领域主流需求。                  适用于测量无爆炸、结晶、凝固倾向，对奥氏体不锈钢无腐蚀作用的液体、气体等介质的正压、负压或正负压。                  密封型壳体结构，适应户外安装条件。                  多种可选项以适应工况要求。</p> <p>Recommend product.                  Suitable for measuring the positive and negative pressure of the liquid, gas medium, which does not explosion, crystal, solid, and does not corrosion to the Cr-Ni stainless steel.                  Airtight type case, suitable for outdoor use.                  There are many options to suit the operating conditions.</p>	<p>推荐产品，适应工业领域主流需求。                  适用于测量无爆炸、结晶、凝固倾向，对奥氏体不锈钢无腐蚀作用的液体、气体等介质的正压、负压或正负压。                  表壳内填充阻尼油，从而具备抗工作环境振动及介质压力脉动的能力。</p> <p>Recommend product.                  Suitable for measuring the positive and negative pressure of the liquid, gas medium, which does not explosion, crystal, solid, and does not corrosion to the Cr-Ni stainless steel.                  With liquid filled case for applications with high dynamic pressure loads or vibrations.</p>
<p>密封型壳体结构 Airtight type case                  外壳防护等级 Protection proof: GB/T 4208 idt IEC 60529 IP66                  外壳 Case: 304S.S. (316L 可选 316L S.S. available)                  弹簧管 Bourdon tube: 316L S.S.                  接头 Socket: 304/316L/321 S.S.                  测量系统采用氩弧焊 Measuring system: argon arc welding                  铝度盘，白底黑字 Dial: aluminum, white, black lettering                  层压安全玻璃 Laminated safety glass                  内部限位装置 Internal limit stop device                  安全泄压装置：向上，可选向后释放 Safety blow out: top, back available</p>	<p>密封型壳体结构 Airtight type case                  外壳防护等级 Protection proof: GB/T 4208 idt IEC 60529 IP66                  外壳 Case: 304S.S. (316L 可选 316L S.S. available)                  弹簧管 Bourdon tube: 316L S.S.                  接头 Socket: 304/316L/321 S.S.                  测量系统采用氩弧焊 Measuring system: argon arc welding                  铝度盘，白底黑字 Dial: aluminum, white, black lettering                  层压安全玻璃 Laminated safety glass                  内部限位装置 Internal limit stop device                  安全泄压装置：向上，可选向后释放 Safety blow out: top, back available</p>
<p>安装方式 Mounting type:                  (无代号 Non code)- 径向直接式 Bottom mounting                  T-径向墙装式 Bottom mounting with back flange                  TQ-径向盘装式 Bottom panel with front flange                  Z-轴向直接式 Back mounting                  ZT-轴向盘装式 Back panel with front flange                  ZU-轴向带背卡(Φ60/100)Back mounting with U clamp</p>	<p>安装方式 Mounting type:                  (无代号 Non code)- 径向直接式 Bottom mounting                  T-径向墙装式 Bottom mounting with back flange                  TQ-径向盘装式 Bottom panel with front flange                  Z-轴向直接式 Back mounting                  ZT-轴向盘装式 Back panel with front flange                  ZU-轴向带背卡(Φ60/100)Back mounting with U clamp</p>
<p>精确度 Accuracy: ±1.6, 1.0%F.S.(Φ100/150/200/250)                  ±2.5, 1.6% F.S. (Φ60)                  量程 Span: 0.1MPa~160MPa(Φ100/150/200/250), 0.1MPa~60MPa(Φ60)                  连接规格 Connection: M20×1.5(Φ100/150/200/250), M14×1.5(Φ60)                  其它规格可选 Other connection available</p>	<p>精确度 Accuracy: ±1.6, 1.0% F.S. (Φ100/150/200/250)                  ±2.5, 1.6% F.S. (Φ60)                  量程 Span: 0.1MPa~160MPa(Φ100/150/200/250), 0.1MPa~60MPa(Φ60)                  连接规格 Connection: M20×1.5(Φ100/150/200/250), M14×1.5(Φ60)                  其它规格可选 Other connection available</p>
<p>量程&lt;1MPa, 可选带开关密封塞, 方便消除表壳内压影响                  Top sealing plug with breather valve, available (range &lt;1MPa)</p>	<p>量程&lt;1MPa, 可选带开关密封塞, 方便消除表壳内压影响                  Top sealing plug with breather valve, available (range &lt;1MPa)</p>
<p>正常工作环境振动条件: GB/T 17214.3 V.H.3 级                  Shake-resistant grade: GB/T 17214.3 V.H.3 degree</p>	<p>正常工作环境振动条件: GB/T 17214.3 V.H.4 级                  Shake-resistant grade: GB/T 17214.3 V.H.4 degree</p>
<p>正常工作环境温度 Ambient and medium temperature: -40~70℃                  安全工作介质温度 Safety medium temperature: &lt;200℃                  温度影响: 当使用环境温度偏离 20±5℃时, 仪表的示值误差影响量不大于 0.04% F.S./℃</p>	<p>正常工作环境温度 Ambient and medium temperature: -25~55℃                  安全工作介质温度 Safety medium temperature: &lt;200℃                  温度影响: 当使用环境温度偏离 20±5℃时, 仪表的示值误差影响量不大于 0.04% F.S./℃</p>
<p>执行标准 Executive standard: GB/T 1226-2017</p>	<p>执行标准 Executive standard: JB/T 6804-2006</p>





YTHN-60P

YTHN-60ZT

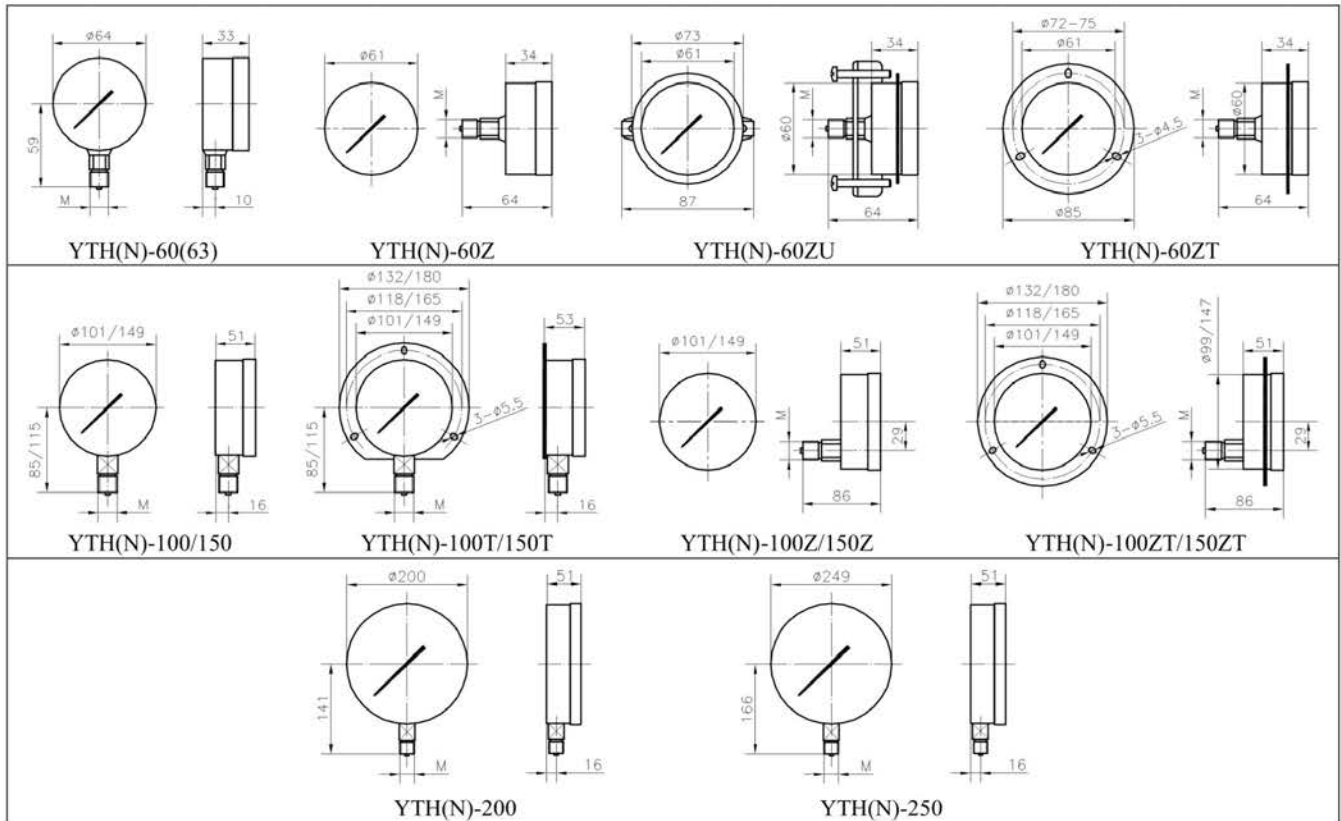
YTH-100ZT

YTHN-60ZU

YTH-100T

YTH-150K

尺寸示意图 Dimensions :



选型 How to order :

范例：150 型径向不锈钢耐震压力表 Example: Stainless steel shake-resistant pressure gauge, bottom mounting, Φ150

1-耐震	2-公称直径	3-安装方式	4-功能选项	5-材质选项
YTH	N	—	150	(316L)

代号 Code	(无 Non)	/ 316L	(316L)
材质选项 Mat. options	表壳 Case 304 接头 Socket 304	表壳 Case 304 接头 Socket 316L	表壳 Case 316L 接头 Socket 316L

代号 Code	D	J	K	V	P
功能选项 Options	定位型 Comparison	记忆型 Memory	高压扣接头 Autoclave 9/16	VCR 接头 VCR-4	防护衣(Φ60) Protective coated

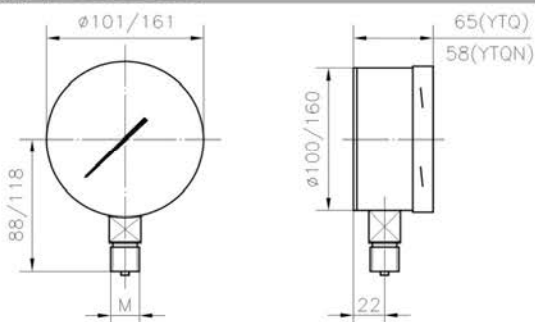
代号 Code	安装方式 Mounting type	Φ60	Φ100	Φ150	Φ200/250
(无)	径向直接式 Bottom mounting	✓	✓	✓	✓
T	径向墙装式 Bottom with back flange	×	✓	✓	×
Z	轴向直接式 Back mounting	✓	✓	✓	×
ZT	轴向盘装式 Back panel with front flange	✓	✓	✓	×
ZU	轴向带背卡 Back mounting with U clamp	✓	✓	×	×
9(3)	侧装式(9点/3点) Side mounting, 9/3 o'clock	✓	✓	✓	×

代号 Code	(无代号 Non code)	N
型式 Type	不充液 Dry type	充液耐震 Liquid filled, shake-resistant

## YTQ 安全型（耐震）压力表 Safety type (shake-resistant) pressure gauge

安全型压力表 Safety type pressure gauge	安全型耐震压力表 Safety type shake-resist pressure gauge
YTQ-100/160 外径 Diameter: $\Phi 100/160$	YTQN-100/160 外径 Diameter: $\Phi 100/160$
<p>适用于测量无爆炸、结晶、凝固倾向，对奥氏体不锈钢无腐蚀作用的液体、气体等流体介质的正压、负压或正负压。</p> <p>坚固安全型壳体结构，适应对现场人员防护要求更高的场合。</p> <p>Suitable for measuring the positive and negative pressure of the liquid, gas medium, which does not explosion, crystal, solid, and does not corrosion to the Cr-Ni stainless steel.</p> <p>Solid baffle safety type case, increased safety requirements.</p>	<p>适用于测量无爆炸、结晶、凝固倾向，对奥氏体不锈钢无腐蚀作用的液体、气体等流体介质的正压、负压或正负压。</p> <p>坚固安全型壳体结构，适应对现场人员防护要求更高的场合。</p> <p>表壳内填充阻尼油，从而具备抗工作环境振动及介质压力脉动的能力。</p> <p>Suitable for measuring the positive and negative pressure of the liquid, gas medium, which does not explosion, crystal, solid, and does not corrosion to the Cr-Ni stainless steel.</p> <p>Solid baffle safety type case, increased safety requirements.</p> <p>With liquid filled case for applications with high dynamic pressure loads or vibrations.</p>
<p>带有安全防爆板(坚固的前面)和安全卸压后盖                  With solid baffle wall (solid front) and blow-out back                  外壳防护等级 Protection proof: GB/T 4208 idt IEC 60529 IP66                  外壳 Case: 304S.S. (316L 可选 316L S.S. available)                  弹簧管 Bourdon tube: 316L S.S.                  接头 Socket: 304/316L S.S.                  测量系统采用氩弧焊 Measuring system: argon arc welding                  铝度盘，白底黑字 Dial : aluminum, white, black lettering                  层压安全玻璃 Laminated safety glass                  内部限位装置 Internal limit stop device                  安全泄压装置：向后 Safety blow-out: back</p>	<p>带有安全防爆板(坚固的前面)和安全卸压后盖                  With solid baffle wall (solid front) and blow-out back                  外壳防护等级 Protection proof: GB/T 4208 idt IEC 60529 IP66                  外壳 Case: 304S.S. (316L 可选 316L S.S. available)                  弹簧管 Bourdon tube: 316L S.S.                  接头 Socket: 304/316L S.S.                  测量系统采用氩弧焊 Measuring system: argon arc welding                  铝度盘，白底黑字 Dial : aluminum, white, black lettering                  层压安全玻璃 Laminated safety glass                  内部限位装置 Internal limit stop device                  安全泄压装置：向后 Safety blow-out: back</p>
安装方式: 径向直接式 Mounting type: Bottom mounting	安装方式: 径向直接式 Mounting type: Bottom mounting
<p>精确度 Accuracy: <math>\pm 1.6, 1.0\%</math> F.S.                  量程 Span: 0.1MPa~160MPa                  连接规格 Connection: M20 <math>\times</math> 1.5                  其它规格可选 Other connection available</p>	<p>精确度 Accuracy: <math>\pm 1.6, 1.0\%</math> F.S.                  量程 Span: 0.1MPa~160MPa                  连接规格 Connection: M20 <math>\times</math> 1.5                  其它规格可选 Other connection available</p>
<p>正常工作环境振动条件: GB/T 17214.3 V.H.3 级                  Shake-resistant grade: GB/T 17214.3 V.H.3 degree</p>	<p>正常工作环境振动条件: GB/T 17214.3 V.H.4 级                  Shake-resistant grade: GB/T 17214.3 V.H.4 degree</p>
<p>正常工作环境温度 Ambient and medium temperature: <math>-40\sim 70^{\circ}\text{C}</math>                  安全工作介质温度 Safety medium temperature: <math>&lt; 200^{\circ}\text{C}</math></p>	<p>正常工作环境温度 Ambient and medium temperature: <math>-25\sim 55^{\circ}\text{C}</math>                  安全工作介质温度 Safety medium temperature: <math>&lt; 200^{\circ}\text{C}</math></p>
执行标准 Executive standard: GB/T 1226-2017	执行标准 Executive standard: JB/T 6804-2006

### 尺寸示意图 Dimensions:



### 壳体结构 Structure of the case:



YTQ

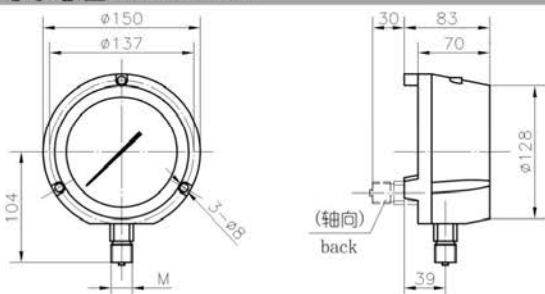
YTQN



## YQS 塑壳安全型压力表 Plastic case safety type pressure gauge

	
塑壳安全型压力表 Plastic case safety type pressure gauge	塑壳安全型耐震压力表 Plastic case safety type shake-resistant pressure gauge
YQS-4.5 公称直径 Nominal diameter: $\Phi 4.5''$	YQSN-4.5 公称直径 Nominal diameter: $\Phi 4.5''$
<p>塑料外壳, 适应更为严酷的工业过程环境条件。                  坚固安全型壳体结构, 适应对现场人员防护要求更高的场合。                  适用于测量无爆炸、结晶、凝固倾向, 对奥氏体不锈钢无腐蚀作用的液体、气体等流体介质的正压、负压或正负压。</p> <p>Plastic case, adapt to more harsh environmental conditions.                  Solid baffle safety type case, increased safety requirements.                  Suitable for measuring the positive and negative pressure of the liquid, gas medium, which does not explosion, crystal, solid, and does not corrosion to the Cr-Ni stainless steel.</p>	<p>塑料外壳, 适应更为严酷的工业过程环境条件。                  坚固安全型壳体结构, 适应对现场人员防护要求更高的场合。                  适用于测量无爆炸、结晶、凝固倾向, 对奥氏体不锈钢无腐蚀作用的液体、气体等流体介质的正压、负压或正负压。                  表壳内填充阻尼油, 具备抗工作环境振动及介质压力脉动的能力。                  Plastic case, adapt to more harsh environmental conditions.                  Solid baffle safety type case, increased safety requirements.                  Suitable for measuring the positive and negative pressure of the liquid, gas medium, which does not explosion, crystal, solid, and does not corrosion to the Cr-Ni stainless steel.                  With liquid filled case for applications with high dynamic pressure loads or vibrations.</p>
<p>带有安全防爆板(坚固的前面)和安全卸压后盖                  With solid baffle wall (solid front) and blow-out back                  外壳防护等级 Protection proof: GB/T 4208 idt IEC 60529 IP66                  外壳: 增强型热塑性树脂 Case: Reinforced thermoplastic                  弹簧管 Bourdon tube: 316L S.S.                  接头 Socket: 304/316L S.S.                  测量系统采用氩弧焊 Measuring system: argon arc welding                  铝度盘, 白底黑字 Dial: aluminum, white, black lettering                  层压安全玻璃, 调零指针 Laminated safety glass, zero adjustable pointer                  内部限止装置 Internal limit stop device                  安全泄压装置: 向后 Safety blow-out: back</p>	<p>带有安全防爆板(坚固的前面)和安全卸压后盖                  With solid baffle wall (solid front) and blow-out back                  外壳防护等级 Protection proof: GB/T 4208 idt IEC 60529 IP66                  外壳: 增强型热塑性树脂 Case: Reinforced thermoplastic                  弹簧管 Bourdon tube: 316L S.S.                  接头 Socket: 304/316L S.S.                  测量系统采用氩弧焊 Measuring system: argon arc welding                  铝度盘, 白底黑字 Dial: aluminum, white, black lettering                  层压安全玻璃, 调零指针 Laminated safety glass, zero adjustable pointer                  内部限止装置 Internal limit stop device                  安全泄压装置: 向后 Safety blow-out: back</p>
安装方式: 径向、轴向 Mounting type: Bottom or back mounting	安装方式: 径向、轴向 Mounting type: Bottom or back mounting
<p>精确度 Accuracy: <math>\pm 1.6, 1.0\%</math> F.S.                  量程 Span: 0.1MPa~160MPa                  连接规格 Connection: M20 <math>\times</math> 1.5                  其它规格可选 Other connection available</p>	<p>精确度 Accuracy: <math>\pm 1.6, 1.0\%</math> F.S.                  量程 Span: 0.1MPa~160MPa                  连接规格 Connection: M20 <math>\times</math> 1.5                  其它规格可选 Other connection available</p>
<p>正常工作环境振动条件: GB/T 17214.3 V.H.3 级                  Shake-resistant grade: GB/T 17214.3 V.H.3 degree</p>	<p>正常工作环境振动条件: GB/T 17214.3 V.H.4 级                  Shake-resistant grade: GB/T 17214.3 V.H.4 degree</p>
<p>正常工作环境温度 Ambient and medium temperature: -40~70℃                  安全工作介质温度 Safety medium temperature: &lt;200℃</p>	<p>正常工作环境温度 Ambient and medium temperature: -25~55℃                  安全工作介质温度 Safety medium temperature: &lt;200℃</p>
参考执行标准 Executive standard: GB/T 1226-2017	参考执行标准 Executive standard: JB/T 6804-2006

### 尺寸示意图 Dimensions:



### 壳体结构 Structure of the case:



**YB 精密压力表 不锈钢（耐震）精密压力表**
**Accurate pressure gauge, Stainless steel (shake-resistant) accurate pressure gauge**

		
精密压力表 Accurate pressure gauge	不锈钢精密压力表 Stainless steel accurate pressure gauge	不锈钢耐震精密压力表 Stainless steel shake-resistant accurate pressure gauge
YB-160 外径 Diameter: Φ160	YB-160H/150H 外径 Diameter: Φ160/150	YBN-160H/150H 外径 Diameter: Φ160/150
<p>用于在压力量值传递过程中，检定一般压力表。也可用作现场精密测量仪表，适用于测量对奥氏体不锈钢无腐蚀作用的液体、气体等介质的正压、负压或正负压。</p> <p>Used in the pressure value transfer process, check the general pressure gauge, can also be used as a field precision measuring instrument. Suitable for measuring the positive and negative pressure of the liquid, gas medium, which does not corrosion to the Cr-Ni stainless steel.</p>	<p>用于在压力量值传递过程中，检定一般压力表。也可用作现场精密测量仪表，适用于测量对奥氏体不锈钢无腐蚀作用的液体、气体等介质的正压、负压或正负压。</p> <p>外壳及内部主要元件采用不锈钢。</p> <p>Used in the pressure value transfer process, check the general pressure gauge, can also be used as a field precision measuring instrument. Suitable for measuring the positive and negative pressure of the liquid, gas medium, which does not corrosion to the Cr-Ni stainless steel.</p> <p>The case and and main internal components made of stainless steel.</p>	<p>用于在压力量值传递过程中，检定一般压力表。也可用作现场精密测量仪表，适用于测量对奥氏体不锈钢无腐蚀作用的液体、气体等介质的正压、负压或正负压。</p> <p>表壳内填充阻尼油，从而具备抗工作环境振动及介质压力脉动的能力。</p> <p>Used in the pressure value transfer process, check the general pressure gauge, can also be used as a field precision measuring instrument. Suitable for measuring the positive and negative pressure of the liquid, gas medium, which does not corrosion to the Cr-Ni stainless steel.</p> <p>With liquid filled case for applications with high dynamic pressure loads or vibrations.</p>
外壳：08F 喷黑塑 弹簧管：316L 不锈钢 接头：304 不锈钢 测量系统采用氩弧焊 铝度盘，白底黑字，带镜面环 平板玻璃，黑色刀锋式指针 安全泄压装置：向后 Case: 08F black plastic plated Bourdon tube: 316L S.S. Socket: 304 S.S. Measuring system: argon arc welding Dial: aluminum, white, black lettering, with mirror arc Plain glass, black knife end pointer Safety blow out: back	外壳：304/316L 不锈钢 弹簧管：316L 不锈钢 接头：304/316L 不锈钢 测量系统采用氩弧焊 铝度盘，白底黑字，带镜面环 层压安全玻璃，黑色刀锋式指针 安全泄压装置：向后 Case: 304/316L S.S. Bourdon tube: 316L S.S. Socket: 304/316L S.S. Measuring system: argon arc welding Dial: aluminum, white, black lettering, with mirror arc Laminated safety glass, black knife end pointer Safety blow out: back	外壳：304/316L 不锈钢 弹簧管：316L 不锈钢 接头：304/316L 不锈钢 测量系统采用氩弧焊 铝度盘，白底黑字，带镜面环 层压安全玻璃，黑色刀锋式指针 安全泄压装置：向上，可选向后释放 Case: 304/316L S.S. Bourdon tube: 316L S.S. Socket: 304/316L S.S. Measuring system: argon arc welding Dial: aluminum, white, black lettering, with mirror arc Laminated safety glass, black knife end pointer Safety blow out: top, back available
罩圈+塑料衬圈+螺钉式结构 外壳防护等级 GB/T 4208 IP54 级 Protection proof: GB/T 4208 idt IEC 60529 IP54	罩圈+塑料衬圈+螺钉式结构 外壳防护等级 GB/T 4208 IP54 级 Protection proof: GB/T 4208 idt IEC 60529 IP54	密封型壳体结构，适应户外安装条件 外壳防护等级 GB/T 4208 IP66 级 Protection proof: GB/T 4208 idt IEC 60529 IP66
精确度 Accuracy: ±0.4, 0.25% F.S. 量程 Span: 0.1MPa~60MPa	精确度 Accuracy: ±0.4, 0.25% F.S. 量程 Span: 0.1MPa~60MPa	精确度 Accuracy: ±0.4, 0.25% F.S. 量程 Span: 0.1MPa~60MPa
连接规格 Connection: M20×1.5 其它规格可选 Other connection available	连接规格 Connection: M20×1.5 其它规格可选 Other connection available	连接规格 Connection: M20×1.5 其它规格可选 Other connection available
玻璃上带外部调零机构 External zero adjustment	玻璃上带外部调零机构 External zero adjustment	玻璃上带外部调零机构 External zero adjustment
执行标准 Executive standard: GB/T 1227-2017	执行标准 Executive standard: GB/T 1227-2017	执行标准 Executive standard: GB/T 1227-2017





YB-160



YB-160H



YB-160H



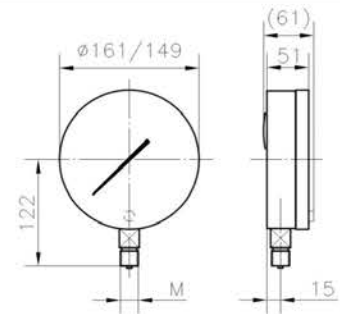
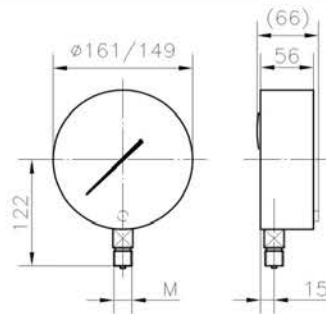
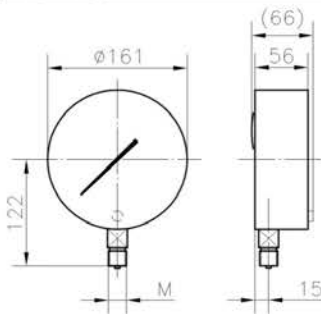
YBN-160H



YB-160H/MLB

**正常工作条件 Operating conditions:**

- |  |   |
|--|---|
| 1. 仪表的正常工作位置应处于垂直状态;<br>2. 正常工作环境温度(含介质温度)为 5-40℃;<br>3. 正常工作环境振动应不超过 GB/T 17214.3 规定的 V.H.2 级,耐震型不超过 GB/T 17214.3 规定的 V.H.3 级;<br>4. 作为现场仪表时,压力部分一般使用测量上限的 3/4;<br>5. 温度影响:当使用环境温度偏离 20±3℃ (0.4 级) 或 20±2℃ (0.25 级) 时,仪表的示值误差影响量不大于 0.04% F.S./℃。 | 1. Working should be in vertical position.<br>2. Ambient and medium temperature: 5-40℃.<br>3. Shake-resistant grade: GB/T 17214.3 V.H.2 degree. Liquid filled: GB/T 17214.3 V.H.3 degree.<br>4. As a field instrument, the working pressure: < 3/4 of the full scale.<br>5. Temperature impact: temperature additive errors should not above 0.04% F.S./℃, when the temperature deviates from 20±3℃ (accuracy ± 0.4%F.S.) or 20±2℃ (accuracy ± 0.25%F.S.) |
|--|---|

**尺寸示意图 Dimensions:**

**选型 How to order:**

范例: 不锈钢耐震精密压力表 Example: Stainless steel shake-resistant accurate pressure gauge, Φ160

YB	1-耐震	2-公称直径	3-安装方式	4-不锈钢	5-外部调零	6-材质选项																								
	N	160		H		(316L)																								
<table border="1" style="width: 100%;"> <tr> <td>代号 Code</td> <td>(无 Non)</td> <td>/ 316L</td> <td>(316L)</td> </tr> <tr> <td>材质选项 Mat. options</td> <td>表壳 Case 304 接头 Socket 304</td> <td>表壳 Case 304 接头 Socket 316L</td> <td>表壳 Case 316L 接头 Socket 316L</td> </tr> <tr> <td colspan="2">代号 Code</td> <td>(无 Non)</td> <td>L</td> </tr> <tr> <td colspan="2">外部调零 External zero adjustment</td> <td>不带 No</td> <td>带 Yes</td> </tr> <tr> <td colspan="2">代号 Code</td> <td>(无 Non)</td> <td>H</td> </tr> <tr> <td colspan="2">外壳及内部主要元件不锈钢 Case and main internal components: stainless steel</td> <td>否 No</td> <td>是 Yes</td> </tr> </table>							代号 Code	(无 Non)	/ 316L	(316L)	材质选项 Mat. options	表壳 Case 304 接头 Socket 304	表壳 Case 304 接头 Socket 316L	表壳 Case 316L 接头 Socket 316L	代号 Code		(无 Non)	L	外部调零 External zero adjustment		不带 No	带 Yes	代号 Code		(无 Non)	H	外壳及内部主要元件不锈钢 Case and main internal components: stainless steel		否 No	是 Yes
代号 Code	(无 Non)	/ 316L	(316L)																											
材质选项 Mat. options	表壳 Case 304 接头 Socket 304	表壳 Case 304 接头 Socket 316L	表壳 Case 316L 接头 Socket 316L																											
代号 Code		(无 Non)	L																											
外部调零 External zero adjustment		不带 No	带 Yes																											
代号 Code		(无 Non)	H																											
外壳及内部主要元件不锈钢 Case and main internal components: stainless steel		否 No	是 Yes																											
<table border="1" style="width: 100%;"> <tr> <td>Code</td> <td>安装方式 Mounting type</td> <td>Φ160</td> </tr> <tr> <td>(无)</td> <td>径向直接式 Bottom mounting</td> <td>✓</td> </tr> <tr> <td>Z</td> <td>轴向直接式 Back mounting</td> <td>▲ (协商 Consultation)</td> </tr> <tr> <td>ZT</td> <td>轴向盘装式 Back panel with front flange</td> <td>▲ (协商 Consultation)</td> </tr> </table>							Code	安装方式 Mounting type	Φ160	(无)	径向直接式 Bottom mounting	✓	Z	轴向直接式 Back mounting	▲ (协商 Consultation)	ZT	轴向盘装式 Back panel with front flange	▲ (协商 Consultation)												
Code	安装方式 Mounting type	Φ160																												
(无)	径向直接式 Bottom mounting	✓																												
Z	轴向直接式 Back mounting	▲ (协商 Consultation)																												
ZT	轴向盘装式 Back panel with front flange	▲ (协商 Consultation)																												
<table border="1" style="width: 100%;"> <tr> <td>代号 Code</td> <td>(无代号 Non code)</td> <td>N</td> </tr> <tr> <td>型式 Type</td> <td>不充液 Dry type</td> <td>充液耐震 Liquid filled, shake-resistant</td> </tr> </table>							代号 Code	(无代号 Non code)	N	型式 Type	不充液 Dry type	充液耐震 Liquid filled, shake-resistant																		
代号 Code	(无代号 Non code)	N																												
型式 Type	不充液 Dry type	充液耐震 Liquid filled, shake-resistant																												

注: 可响应隔膜式精密压力表, 隔膜密封部分参见 06.00。

Note: Respond to diaphragm seal type accurate pressure gauge, diaphragm seal refer to 06.00.

## YP 不锈钢(耐震)膜片压力表 (Shake-resistant) diaphragm pressure gauge



YP-100H



YPXG-100HF



YP-100HF



YP-100HF



YP-150HF+F4/F4

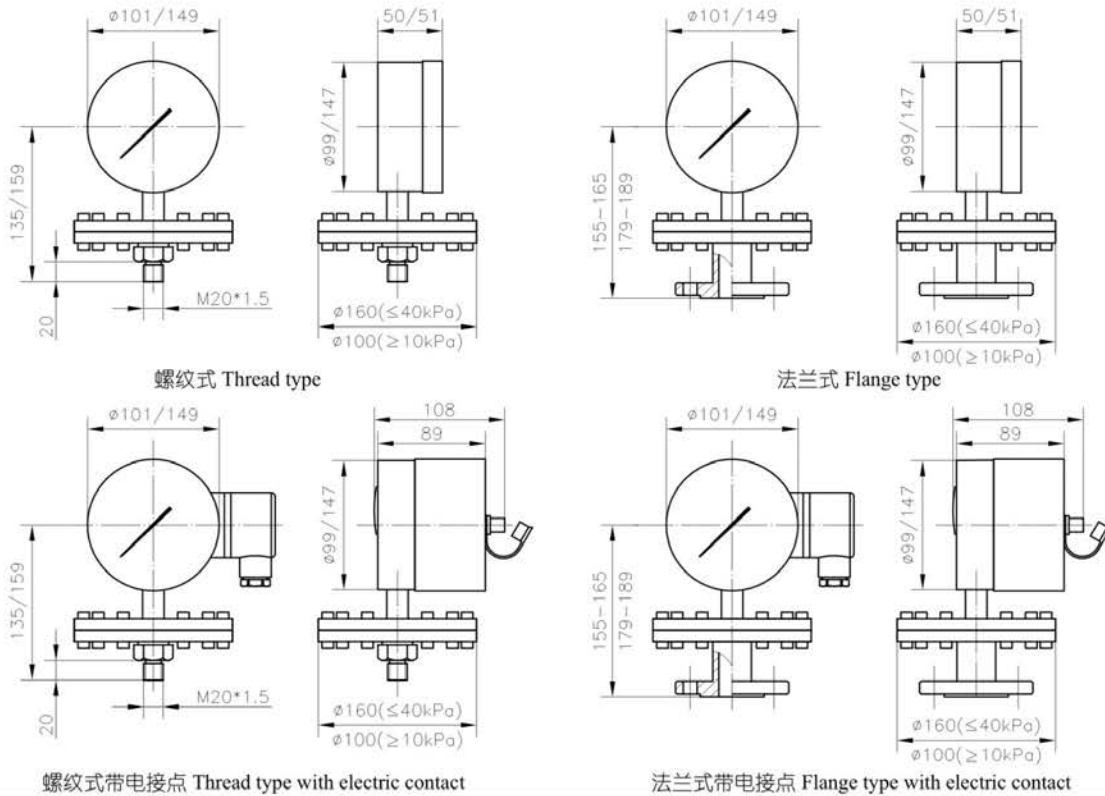


YPXZ-100HF

YP(N)-100/150H, YP(N)-100/150HF 外径: $\Phi 100/150$	YP(N)-100/150H, YP(N)-100/150HF Diameter: $\Phi 100/150$
应用于无结晶或凝固倾向的介质 适用腐蚀性液体和气体 充液耐震型适应工作环境振动或介质压力脉动条件	Suitable for corrosion gaseous and liquid For no crystal, no solid medium Shake-resistant type with liquid filled case for applications with high dynamic pressure loads or vibrations
外壳: 304S.S. (316L 可选) 传动机构: 304S.S. 铝度盘, 白底黑字, 黑色指针 钢化安全玻璃 内部限止装置	Case: 304S.S. (316L S.S. available) Movement: 304S.S. Dial: aluminum, white, black lettering, black pointer Safety reinforced glass Internal limit stop device
膜片(德国原产): $<250\text{kPa}$ , 316Ti 不锈钢, 或 316Ti 衬 PTFE $>0.4\text{MPa}$ , DIN C75 衬 PTFE 膜片材质哈氏 C-276 ( $>10\text{kPa}$ 可选) 螺纹(法兰)接液: 304/316L 不锈钢, 或 304 衬 PTFE	Diaphragm: $<250\text{kPa}$ , 316Ti S.S. or 316Ti S.S. coated PTFE $>0.4\text{MPa}$ , DIN C75 coated PTFE Diaphragm material Hastelloy C-276 ( $>10\text{kPa}$ available) Wetted part: 304/316L S.S. or 304S.S. coated PTFE
密封型壳体结构 外壳防护等级: GB/T 4208 IP66 级 安全泄压装置: 向上 耐震型带开关密封塞	Airtight type case Protection proof: GB/T 4208 idt IEC 60529 IP66 Safety blow out: top Shake-resistant type with breather valve
精确度: 不充液 $\pm 1.6, 1.0\%$ F.S. 耐震型 $\pm 2.5, 1.6\%$ F.S. 量程: $1\text{kPa}\sim 60\text{kPa}$ , $0.1\text{MPa}\sim 2.5\text{MPa}$	Accuracy: dry type $\pm 1.6, 1.0\%$ F.S. Liquid filled(shake-resistant) $\pm 2.5, 1.6\%$ F.S. Span: $1\text{kPa}\sim 60\text{kPa}$ , $0.1\text{MPa}\sim 2.5\text{MPa}$
仅提供径向安装方式 YP-100/150H 连接规格: $M20 \times 1.5$ , 其它螺纹规格可选 螺纹连接式可选带冲洗舱, 冲洗连接 $2^*1/2\text{NPT(F)}$ 或 $2^*1/4\text{NPT(F)}$ YP-100/150HF 连接规格: 法兰, 标准及规格参见 06.01 MF	Mounting type: bottom mounting only YP-100/150H Connection: $M20 \times 1.5$ , Other connection available Threaded connection optional with flushing cabin, Flush connection $2^*1/2\text{NPT(F)}$ or $2^*1/4\text{NPT(F)}$ YP-100/150HF Connection: Flange, refer to 06.01 MF
正常工作环境振动条件: GB/T 17214.3 V.H.3 级(不充液) 量程 $>10\text{kPa}$ 可选充液耐震型 YPN 耐震型 GB/T 17214.3 V.H.4 级	Shake-resistant grade: GB/T 17214.3 V.H.3 degree(dry type) YPN Liquid filled(shake-resistant) available, span $>10\text{kPa}$ only Liquid filled(shake-resistant): GB/T 17214.3 V.H.4 degree
高过压型可选, 型号后缀 "G" 量程 $<16\text{kPa}$ , 最高过压 $0.25\text{MPa}$ 量程 $>25\text{kPa}$ , 最高过压 $2.5\text{MPa}$	High overpressure type available, Model suffix "G" Span $<16\text{kPa}$ , Maximum overpressure $0.25\text{MPa}$ Span $>25\text{kPa}$ , Maximum overpressure $2.5\text{MPa}$
正常工作环境温度 $-40\sim 70^{\circ}\text{C}$ , 耐震型 $-25\sim 55^{\circ}\text{C}$ 安全工作介质温度: $<150^{\circ}\text{C}$	Ambient and medium temperature: $-40\sim 70^{\circ}\text{C}$ , liquid filled: $-25\sim 55^{\circ}\text{C}$ Safety medium temperature: $<150^{\circ}\text{C}$
温度影响: 当使用环境温度偏离 $20 \pm 5^{\circ}\text{C}$ 时, 仪表的示值误差影响量不大于 $0.04\%$ F.S./ $^{\circ}\text{C}$	Temperature impact: temperature additive errors should not above $0.04\%$ F.S./ $^{\circ}\text{C}$ , when the temperature deviates from $20 \pm 5^{\circ}\text{C}$ .
可选带电接点开关信号输出 ( $>4\text{kPa}$ ), 型号: YPXC, YPXZ, YPXG 接点规格参见 05.02 YX, 05.04 YXG	With electric contact available ( $>4\text{kPa}$ ), Model: YPXC, YPXZ, YPXG Contact specifications refer to 05.02 YX, 05.04 YXG
执行标准 Executive standard: JB/T5491-2005	执行标准 Executive standard: JB/T5491-2005



尺寸示意图 Dimensions :



选型 How to order :

范例：100 型不锈钢微压膜片压力表，法兰连接，膜片材质 316L 衬 PTFE，法兰接液材质 316L

Example: Stainless steel diaphragm pressure gauge, Φ100, flange connection, diaphragm material 316L S.S. coated PTFE, flange material 316L S.S.

YP	1-电接点	2-耐震	3-公称直径	4-连接方式	5-高过压	6-接液材质	7-膜片材质
		-	100	H	F	+316L	F4

代号 Code	膜片材质 Diaphragm material
316L	316Ti S.S.
F4	316Ti S.S 衬 coated PTFE

代号 Code	接液材质 Wetted components material
(无 Non)	304S.S
+316L	316L S.S.
+F4	304S.S 衬 PTFE 304S.S. coated PTFE
+LF4	316L S.S 衬 PTFE 316L S.S. coated PTFE

代号 Code	高过压 High overpressure
(无 Non)	Non
G	0.25MPa(<16kPa), 2.5MPa(>25kPa)

代号 Code	连接方式 Connection type	规格 Specification
(无) (Non)	螺纹式 Thread	M20×1.5 外, 可选 G1/2, 1/2NPT 外螺纹或内螺纹 M20×1.5 male, G1/2, 1/2NPT male or female available
F	法兰式 Open flange	指定法兰标准及规格 (参见 06.01) Flange standard available (see 06.01)

代号 Code	(无代号 Non code)	N
型式 Type	不充液 Dry type	充液耐震 Liquid filled, shake-resistant (>10kPa only)

代号 Code	带电接点 With electric contact (>4kPa only)
XC	带磁助式电接点 With electric contact, 220/380VAC, 30VA, 1A
XZ	带磁簧式电接点 With electric contact, 12/24VDC, 0.5A
XG	带感应式防爆电接点 With inductive electric contact, 防爆等级 explosion-proof class: Ex ia IIC T6

## YE-100(150)H 不锈钢膜盒压力表 Stainless steel capsule pressure gauge



YE-100H

YE-150H

YEN-150H

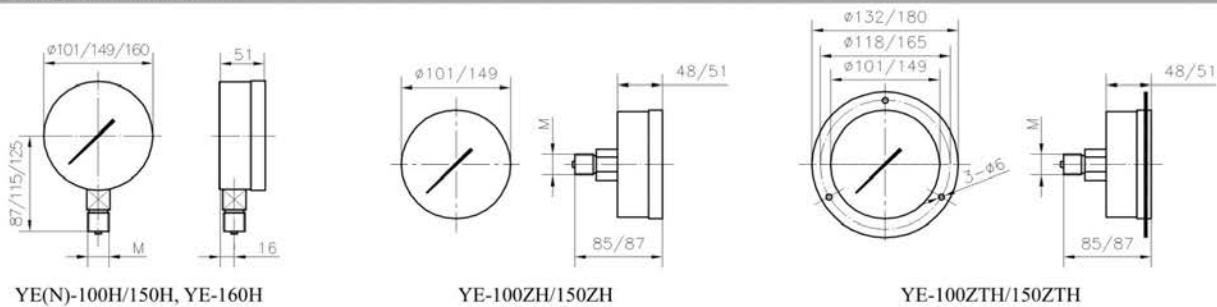
YE-100ZH

YE-100ZTH

YE-100ZUH

适用于测量无爆炸、结晶、凝固倾向，对奥氏体不锈钢无腐蚀作用的气体介质的微压、负压或正负压。 * 通常仅用于气体介质	Suitable for measuring the micro positive and negative pressure of the gaseous medium, which does not explosion, crystal, solid, and does not corrosion to the Cr-Ni stainless steel.
密封型壳体结构 外壳防护等级 GB/T 4208 IP66 级 外壳：304 不锈钢 (316L 可选) 膜盒：316L 不锈钢 接头：304/316L 不锈钢 铝度盘，白底黑字 钢化安全玻璃，黑色指针 安全泄压装置：向后 (耐震型为向上) 耐震型带开关密封塞	Airtight type case Protection proof: GB/T 4208 idt IEC 60529 IP66 Case: 304S.S. (316L S.S. available) Capsule: 316L S.S. Socket: 304/316L S.S. Dial: aluminum, white, black lettering Safety reinforced glass, black pointer Safety blow out: back (shake-resistant type: top) Shake-resistant type with breather valve
外径：Φ100/150/160 精确度：±2.5, 1.6%F.S. 量程：1kPa~60kPa (Φ100/150), 250/400/600Pa (Φ160) 连接规格：M20×1.5, 其它规格可选	Diameter: Φ100/150/160 Accuracy: ±2.5, 1.6% F.S. Span: 1kPa~60kPa (Φ100/150), 250/400/600Pa (Φ160) Connection: M20×1.5, Other connection available
正常工作环境振动条件: GB/T 17214.3 V.H.3 级 (不充液) Φ100/150 径向, 量程>10kPa 可选充液耐震型 耐震型 GB/T 17214.3 V.H.4 级	Shake-resistant grade: GB/T 17214.3 V.H.3 degree(dry type) Liquid filled(shake-resistant) available, Φ100/150 and span >10kPa only Liquid filled(shake-resistant): GB/T 17214.3 V.H.4 degree
正常工作环境温度为-40~70℃, 耐震型为-25~55℃ 安全工作介质温度: <150℃	Ambient and medium temperature: -40~70℃, liquid filled -25~55℃ Safety medium temperature: <150℃
执行标准: JB/T 9274-1999	Executive standard: JB/T 9274-1999

### 尺寸示意图 Dimensions:



YE(N)-100H/150H, YE-160H

YE-100ZH/150ZH

YE-100ZTH/150ZTH

### 选型 How to order:

范例: 100 型不锈钢耐震膜盒压力表 Example: Stainless steel shake-resistant capsule pressure gauge, bottom mounting, Φ100

1-耐震 Shake-resistant	2-公称直径 Diameter	3-安装方式 Mounting type	不锈钢	4-接头材质 Socket Mat. (无 Non)-304S.S. 316L-316L S.S.
YE	N	—	100	H / 316L

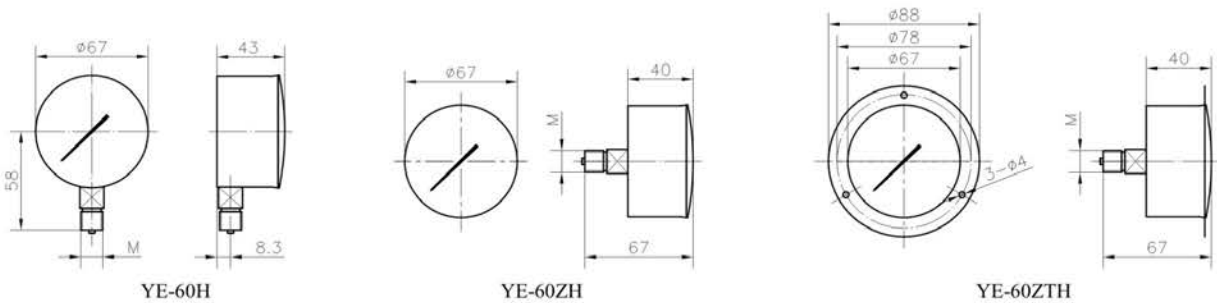
代号 Code	安装方式 Mounting type	
(无)	径向直接式 Bottom mounting	
Z	轴向直接式 Back mounting	
ZT	轴向盘装式 Back panel with front flange	
ZU	轴向带背卡(仅 Φ100 型) Back mounting with U clamp (Φ100 only)	
代号 Code	(无代号 Non code)	N
型式 Type	不充液 Dry type	充液耐震 (仅径向) Liquid filled (bottom only), shake-resistant



## YE-60H 不锈钢膜盒压力表 Stainless steel capsule pressure gauge

	
适用于测量无爆炸、结晶、凝固倾向，对奥氏体不锈钢无腐蚀用的气体介质的微压、负压或正负压。 * 通常仅用于气体介质	Suitable for measuring the micro positive and negative pressure of the gaseous medium, which does not explosion, crystal, solid, and does not corrosion to the Cr-Ni stainless steel.
外壳防护等级 GB/T 4208 IP55 级 外壳: 304 不锈钢 (316L 可选) 膜盒: 316L 不锈钢 接头: 304/316L 不锈钢 铝度盘, 白底黑字 有机玻璃, 黑色指针 不响应耐震型	Protection proof: GB/T 4208 idt IEC 60529 IP55 Case: 304S.S. (316L S.S. available) Capsule: 316L S.S. Socket: 304/316L S.S. Dial: aluminum, white, black lettering PMMA glass, black pointer Non-responsive shock-resistant type
外径: $\Phi 65$ 精确度: $\pm 2.5, 4.0\%$ F.S. 量程: 2.5kPa~60kPa 连接规格: M14 $\times$ 1.5, 其它规格可选	Diameter: $\Phi 65$ Accuracy: $\pm 2.5, 4.0\%$ F.S. Span: 2.5kPa~60kPa Connection: M14 $\times$ 1.5, Other connection available
正常工作环境振动条件: GB/T 17214.3 V.H.3 级	Shake-resistant grade: GB/T 17214.3 V.H.3 degree
正常工作环境温度: -40~70℃ 安全工作介质温度: $< 150^\circ\text{C}$ 温度影响: 当使用环境温度偏离 $20 \pm 5^\circ\text{C}$ 时, 仪表的示值误差影响量不大于 $0.04\%$ F.S./℃	Ambient and medium temperature: -40~70℃ Safety medium temperature: $< 150^\circ\text{C}$ Temperature impact: temperature additive errors should not above $0.04\%$ F.S./℃, when the temperature deviates from $20 \pm 5^\circ\text{C}$
执行标准: JB/T 9274-1999	Executive standard: JB/T 9274-1999

### 尺寸示意图 Dimensions:



### 选型 How to order:

范例: 60 型不锈钢膜盒压力表 Example: Stainless steel shake-resistant capsule pressure gauge, back panel with front flange,  $\Phi 60$

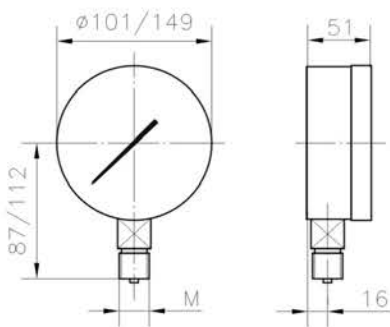
1-公称直径 Diameter	3-安装方式 Mounting type	不锈钢 S.S.	4-材质选项 Mat. Option	
YE - 60	ZT	H	/	
代号 Code	(无 Non)	/ 316L	(316L)	
材质选项 Mat. options	表壳 Case 304 接头 Socket 304	表壳 Case 304 接头 Socket 316L	表壳 Case 316L 接头 Socket 316L	
代号 Code	安装方式 Mounting type			
(无)	径向直接式 Bottom mounting			
Z	轴向直接式 Back mounting			
ZT	轴向盘装式 Back panel with front flange			

## YE 膜盒压力表 Capsule pressure gauge



YE-100/150 外径: $\Phi 100/150$	YE-100/150 Diameter: $\Phi 100/150$
适用于测量无爆炸、结晶、凝固倾向, 对铜合金无腐蚀作用的气体介质的微压、负压或正负压。 * 通常仅用于气体介质	Suitable for measuring the micro positive and negative pressure of the gaseous medium, which does not explosion, crystal, solid, and does not corrosion to the copper alloy.
内卡式壳体结构 (密封型) 外壳: 08F 喷黑塑 膜盒: 铍青铜 (德国原产) 接头: HPb59-1 黄铜 测量系统采用 50%锡焊 内部限止装置 铝度盘, 白底黑字 平板玻璃, 黑色指针 外壳防护等级: GB/T 4208 IP55 级	Inside bayonet type case construction (Airtight type) Case: 08F black plastic plated Capsule: beryllium bronze Socket: brass HPb59-1 Measuring system: 50% soft soldering Internal limit stop device Dial: aluminum, white, black lettering Plain glass, black pointer Protection proof: GB/T 4208 idt IEC 60529 IP55
精确度: $\pm 2.5, 1.6\%$ F.S. 量程: 1.6kPa~60kPa 连接规格: M20 $\times$ 1.5, 其它规格可选 安装方式: 仅提供径向直接式	Accuracy: $\pm 2.5, 1.6\%$ F.S. Span: 1.6kPa~60kPa Connection: M20 $\times$ 1.5, Other standard available Mounting type: Bottom mounting only
正常工作环境振动条件: GB/T 17214.3 V.H.3 级	Shake-resistant grade: GB/T 17214.3 V.H.3 degree
正常工作环境温度: -40~70℃ 安全工作介质温度: <100℃ 温度影响: 当使用环境温度偏离 20 $\pm$ 5℃ 时, 仪表的示值误差影响量不大于 0.04% F.S./℃	Ambient and medium temperature: -40~70℃ Safety medium temperature: <100℃ Temperature impact: temperature additive errors should not above 0.04% F.S./℃, when the temperature deviates from 20 $\pm$ 5℃
执行标准: JB/T 9274-1999	Executive standard: JB/T 9274-1999

### 尺寸示意图 Dimensions:



### 选型 How to order:

范例: 150 型膜盒压力表 Example: Capsule pressure gauge,  $\Phi 150$

1-公称直径		
YE	-	150



## YTD 不锈钢变送式压力表 Stainless steel transmissible pressure gauge

不锈钢（耐震）变送式压力表 Stainless steel (shake-resistant) transmissible pressure gauge																	
YTDA(N)-150H, YTDB(N)-150H, YTDC(N)-150H Diameter: Φ150																	
适用于测量无爆炸、结晶、凝固倾向，对奥氏体不锈钢无腐蚀作用的液体、气体介质的正压、负压或正负压 通过仪表内部的传感变送装置，将被测压力值转换为标准远传信号，传输至远离测量点的二次仪表上，以实现集中检测和远距离控制																	
Suitable for measuring the positive and negative pressure of the liquid, gas medium, which does not explosion, crystal, solid, and does not corrosion to the Cr-Ni stainless steel. Depend the built-in Sensing transducer, it can switch the measured values to standard transmissible signal, and transmit to the secondary gauges far from site and achieve the concentrated examination and remote control.																	
信号选项 Transmitter options	<table border="1"> <tr> <th>型式</th> <th>YTDA</th> <th>YTDB</th> <th>YTDC</th> </tr> <tr> <td>供电电压</td> <td colspan="3">24V DC (+10%, -5%)</td> </tr> <tr> <td>输出信号</td> <td>4~20mA DC</td> <td>0~10V DC</td> <td>1~5V DC</td> </tr> <tr> <td>信号制式</td> <td>两线制</td> <td colspan="2">三线制</td> </tr> </table>	型式	YTDA	YTDB	YTDC	供电电压	24V DC (+10%, -5%)			输出信号	4~20mA DC	0~10V DC	1~5V DC	信号制式	两线制	三线制	
	型式	YTDA	YTDB	YTDC													
	供电电压	24V DC (+10%, -5%)															
	输出信号	4~20mA DC	0~10V DC	1~5V DC													
信号制式	两线制	三线制															
<table border="1"> <tr> <th>Model</th> <th>YTDA</th> <th>YTDB</th> <th>YTDC</th> </tr> <tr> <td>Power supply</td> <td colspan="3">24V DC (+10%, -5%)</td> </tr> <tr> <td>Output</td> <td>4~20mA DC</td> <td>0~10V DC</td> <td>1~5V DC</td> </tr> <tr> <td>Signal Type</td> <td>Two wires</td> <td colspan="2">Three wires</td> </tr> </table>	Model	YTDA	YTDB	YTDC	Power supply	24V DC (+10%, -5%)			Output	4~20mA DC	0~10V DC	1~5V DC	Signal Type	Two wires	Three wires		
Model	YTDA	YTDB	YTDC														
Power supply	24V DC (+10%, -5%)																
Output	4~20mA DC	0~10V DC	1~5V DC														
Signal Type	Two wires	Three wires															
外壳：304 不锈钢（316L 可选） 弹簧管：316L 不锈钢，接头：304/316L/321 不锈钢 测量系统采用氩弧焊 铝度盘，白底黑字，层压安全玻璃 内部限止装置 安全泄压装置：向上，带开关密封塞 进口陶瓷传感器元件和成熟电路设计，稳定可靠。																	
Case: 304S.S. (316L S.S. available) Bourdon tube: 316L S.S. Socket: 304/316L/321 S.S. Measuring system: argon arc welding Dial: aluminum, white, black lettering. Laminated safety glass Internal limit stop device Safety blow out: top, with breather valve Imported ceramic sensor components																	
精确度：±1.6, 1.0%F.S.(现场指示)；±0.5%F.S.(输出信号) 量程：0.1MPa~60MPa 连接规格：M20×1.5，电气接口：M20×1.5(内) 防爆接线盒，适应户外安装条件																	
Accuracy: ±1.6, 1.0%F.S. (local instructions); ±0.5%F.S.(output signal) Span: 0.1MPa~60MPa Connection: M20×1.5, electrical connection: M20×1.5(F) Explosion-proof connector, suitable for field mounting																	
外壳防护等级： GB/T 4208 idt IEC 60529 IP55（不充液） GB/T 4208 idt IEC 60529 IP66（耐震型）																	
Protection proof: GB/T 4208 idt IEC 60529 IP55 (dry type) GB/T 4208 idt IEC 60529 IP66 (liquid filled)																	
正常工作环境振动条件： GB/T 17214.3 V.H.3 级（不充液） GB/T 17214.3 V.H.4 级（耐震型）																	
Shake-resistant grade: GB/T 17214.3 V.H.3 degree (dry type) GB/T 17214.3 V.H.4 degree (liquid filled)																	
正常工作环境温度：-10~55℃，相对湿度 5%~85% 安全工作介质温度：<100℃ 温度影响：当使用环境温度偏离 20±5℃时，就地指示误差影响量不大于 0.04% F.S./℃，输出信号误差影响量不大于 0.03% F.S./℃。																	
Ambient and medium temperature: -10~55℃, relative humidity: 5%~85% Safety medium temperature: <100℃. Temperature additive errors should not above 0.04% F.S./℃(local instructions) and 0.03% F.S./℃(output signal), when the temperature deviates from 20±5℃.																	
执行标准：JB/T 10203-2000 Executive standard: JB/T 10203-2000																	
尺寸示意图 Dimensions 	接线插座 Wiring socket 																
YTDA(4~20mA) 1 - 电源 (输出) Power(output) (+) 6 - 电源 (输出) Power(output) (-)	YTDB(0~10V) 1 - 电源 Power (+) 2 - 输出 Output (+) 6 - 电源 (输出) Power(output) (-)																
YTDC(1~5V) 1 - 电源 Power (+) 2 - 输出 Output (+) 6 - 电源 (输出) Power(output) (-)																	

## YTZ 远传压力表 Transmissible pressure gauge

电阻远传压力表 Resistance transmissible pressure gauge	不锈钢电阻远传压力表 Stainless steel resistance transmissible pressure gauge																		
YTZ-150, YTZ-150A, YTZN-150 外径 Diameter: $\Phi 150$	YTZ-150H, YTZ-150AH, YTZN-150H 外径 Diameter: $\Phi 150$																		
适用于测量无爆炸、结晶、凝固倾向，对铜合金无腐蚀作用的液体、气体介质的正压、负压或正负压 通过仪表内部的滑线电阻发送器把被测值转换为电阻信号，传输至远离测量点的二次仪表上，以实现集中检测和远距离控制 Suitable for measuring the positive and negative pressure of the liquid, gas medium, which does not explosion, crystal, solid, and does not corrosion to the copper alloy. Depend the built-in adjustable resistance transmitter, it can switch the measured values to resistance, and transmit to the secondary gauges far from site and achieve the concentrated examination and remote control.	适用于测量无爆炸、结晶、凝固倾向，对奥氏体不锈钢无腐蚀作用的液体、气体介质的正压、负压或正负压 通过仪表内部的滑线电阻发送器把被测值转换为电阻信号，传输至远离测量点的二次仪表上，以实现集中检测和远距离控制 Suitable for measuring the positive and negative pressure of the liquid, gas medium, which does not explosion, crystal, solid, and does not corrosion to the Cr-Ni stainless steel. Depend the built-in adjustable resistance transmitter, it can switch the measured values to resistance, and transmit to the secondary gauges far from site and achieve the concentrated examination and remote control.																		
三线制，航空插头 16M-4AH，配套 XMY-10/12 二次仪表 Three wires, aviation plug 16M $\times$ 4AH, secondary gauge XMY-10/12 输出 Output: 起始电阻 Start resistance 5~20 $\Omega$ 满度电阻 Full resistance 340~400 $\Omega$ 工作电压 Voltage: $< 6V$ DC	三线制，航空插头 16M-4AH，配套 XMY-10/12 二次仪表 Three wires, aviation plug 16M $\times$ 4AH, secondary gauge XMY-10/12 输出 Output: 起始电阻 Start resistance 5~20 $\Omega$ 满度电阻 Full resistance 340~400 $\Omega$ 工作电压 Voltage: $< 6V$ DC																		
外壳 Case: 08F 弹簧管: 磷铜 Bourdon tube: phosphor bronze 接头: HPb59-1 黄铜 Socket: brass HPb59-1 测量系统采用 50%锡焊 Measuring system: 50% soft soldering 铝度盘，白底黑字 Dial: aluminum, white, black lettering 平板玻璃，黑色指针 Plain glass, black pointer 耐震型采用安全玻璃 Shake-resistant type: safety glass	外壳 Case: 304S.S. (316L 可选 316L S.S. available) 弹簧管 Bourdon tube: 316L S.S. 接头 Socket: 304/316L S.S. 测量系统采用氩弧焊 Measuring system: argon arc welding 铝度盘，白底黑字 Dial: aluminum, white, black lettering 平板玻璃，黑色指针 Plain glass, black pointer 耐震型采用安全玻璃 Shake-resistant type: safety glass																		
精确度 Accuracy: $\pm 1.6\%$ F.S. 量程 Span: 0.1MPa~60MPa 连接规格 Connection: M20 $\times$ 1.5	精确度 Accuracy: $\pm 1.6\%$ F.S. 量程 Span: 0.1MPa~60MPa 连接规格 Connection: M20 $\times$ 1.5																		
外壳防护等级 Protection proof: GB/T 4208 idt IEC 60529 <table border="1" data-bbox="207 1456 746 1554"> <tbody> <tr> <td>YTZ-150</td> <td>普通型 Normal type</td> <td>IP54</td> </tr> <tr> <td>YTZ-150A</td> <td>表壳密封型 Airtight type case</td> <td>IP65</td> </tr> <tr> <td>YTZN-150</td> <td>充液耐震型 Liquid filled</td> <td>IP65</td> </tr> </tbody> </table>	YTZ-150	普通型 Normal type	IP54	YTZ-150A	表壳密封型 Airtight type case	IP65	YTZN-150	充液耐震型 Liquid filled	IP65	外壳防护等级 Protection proof: GB/T 4208 idt IEC 60529 <table border="1" data-bbox="874 1456 1414 1554"> <tbody> <tr> <td>YTZ-150H</td> <td>普通型 Normal type</td> <td>IP54</td> </tr> <tr> <td>YTZ-150AH</td> <td>表壳密封型 Airtight type case</td> <td>IP65</td> </tr> <tr> <td>YTZN-150H</td> <td>充液耐震型 Liquid filled</td> <td>IP65</td> </tr> </tbody> </table>	YTZ-150H	普通型 Normal type	IP54	YTZ-150AH	表壳密封型 Airtight type case	IP65	YTZN-150H	充液耐震型 Liquid filled	IP65
YTZ-150	普通型 Normal type	IP54																	
YTZ-150A	表壳密封型 Airtight type case	IP65																	
YTZN-150	充液耐震型 Liquid filled	IP65																	
YTZ-150H	普通型 Normal type	IP54																	
YTZ-150AH	表壳密封型 Airtight type case	IP65																	
YTZN-150H	充液耐震型 Liquid filled	IP65																	
正常工作环境振动条件 Shake-resistant grade: GB/T 17214.3 V.H.3 级 (不充液 dry type) GB/T 17214.3 V.H.4 级 (耐震型 liquid filled)	正常工作环境振动条件 Shake-resistant grade: GB/T 17214.3 V.H.3 级 (不充液 dry type) GB/T 17214.3 V.H.4 级 (耐震型 liquid filled)																		
正常工作环境温度: $-40\sim 60^{\circ}\text{C}$ ，相对湿度 5%~85% Ambient and medium temperature: $-40\sim 60^{\circ}\text{C}$ ，Relative humidity: 5%~85%	正常工作环境温度: $-40\sim 60^{\circ}\text{C}$ ，相对湿度 5%~85% Ambient and medium temperature: $-40\sim 60^{\circ}\text{C}$ ，relative humidity: 5%~85%																		
执行标准 Executive standard: JB/T10203-2000	执行标准 Executive standard: JB/T10203-2000																		



## YXG 感应式防爆（耐震）电接点压力表 Inductive explosion-proof (shake-resistant) electric contact pressure gauge

							
感应式本安防爆电接点压力表 Inductive explosion-proof electric contact pressure gauge		感应式本安防爆耐震电接点压力表 Inductive explosion-proof shake-resistant electric contact pressure gauge					
YXG-100H/150H 外径 Diameter: Φ100/150		YXGN-100H/150H 外径 Diameter: Φ100/150					
本质安全型，可适用于 I 类和 II 类爆炸性气体环境。 带有电接点控制开关，通常与继电器、接触器配套使用，可实现发 讯报警或控制功能。 Intrinsic safety type, suitable for I or II area explosive gas environment. With electric contact control switch, generally, matched with relay or contactor, it can realize signal-sending(alarm) and automation.		本质安全型，可适用于 I 类和 II 类爆炸性气体环境。 带有电接点控制开关，通常与继电器、接触器配套使用，可实现发 讯报警或控制功能。 充液耐震型适应工作环境振动或介质压力脉动条件。 Intrinsic safety type, suitable for I or II area explosive gas environment. With electric contact control switch, generally, matched with relay or contactor, it can realize signal-sending(alarm) and automation. With liquid filled case for applications with high dynamic pressure loads or vibrations.					
防爆等级 Explosion-proof class: Ex ia IIC T6 Ga 防爆合格证号 Code of explosion-proof certificate: CNEEx16.3901		防爆等级 Explosion-proof class: Ex ia IIC T6 Ga 防爆合格证号 Code of explosion-proof certificate: CNEEx16.3901					
P+F 感应式接近开关元件 Inductance approach switch 额定电压 Rated voltage: 8V DC, 安全使用电压 Safe voltage: <16V DC 工作电流 Working current: 通态 opening >3mA, 断态 closed <1mA 安全使用电流 Safe current: <52mA, 最大功率 Max. power: <169mW 内部电容 Max. capacitance: <30nF, 内部电感 Max. inductance: <100uH		P+F 感应式接近开关元件 Inductance approach switch 额定电压 Rated voltage: 8V DC, 安全使用电压 Safe voltage: <16V DC 工作电流 Working current: 通态 opening >3mA, 断态 closed <1mA 安全使用电流 Safe current: <52mA, 最大功率 Max. power: <169mW 内部电容 Max. capacitance: <30nF, 内部电感 Max. inductance: <100uH					
坚固型，内卡式 Sturdy type, inside bayonet 外壳防护等级 Protection proof: GB/T 4208 idt IEC 60529 IP66		坚固型，内卡式 Sturdy type, inside bayonet 外壳防护等级 Protection proof: GB/T 4208 idt IEC 60529 IP66					
正常工作环境温度 Ambient and medium temperature: -20~60℃ 相对湿度 Relative humidity: <85%		正常工作环境温度 Ambient and medium temperature: -20~60℃ 相对湿度 Relative humidity: <85%					
其它规格、参数、外形尺寸等，参见 05.03(YXH) Other specifications, parameters and dimensions refer to 05.03(YXH)		其它规格、参数、外形尺寸等，参见 05.03(YXH) Other specifications, parameters and dimensions refer to 05.03(YXH)					
执行标准 Executive standard: GB 3836.1-2010, GB 3836.4-2010		执行标准 Executive standard: GB 3836.1-2010, GB 3836.4-2010					
控制方式（通断状态与 05.02 YXC 型相反） Control type:							
							
上下限(缺省) upper-lower(SPDT) 下限 1-2: 常开 NO 上限 3-4: 常闭 NC	双上限 double upper 上限 1-2: 常闭 NC 上限 3-4: 常闭 NC	双下限 double lower 下限 1-2: 常开 NO 下限 3-4: 常开 NO	下上限 lower-upper 下限 1-2: 常闭 NC 上限 3-4: 常开 NO	单上限 single upper 上限 1-2: 常闭 NC	单下限 single lower 下限 1-2: 常开 NO		
必须配合 P+F（或类似适用的）安全栅安装 Must be installed with P + F (or similar) isolated barrier 重庆川仪类似产品型号: DGA-8150, 参数请参考 KFD2-SR2-Ex1.W. Similar products model of SIC, Parameter reference KFD2-SR2-Ex1.W							
型号 Model	供电电压 Power voltage	开路电压 Open circuit	接点数量 Channel	承载能力 Contact loading	延迟时间 Pause time	开关频率 Switching frequency	输入额定值 Rated values
KFD2-SR2-Ex1.W	24V DC	8V DC 连接仪表 Connect gauge	1	<253V AC /2A, cos φ > 0.7 <126.5V AC /4A, cos φ > 0.7	20ms	<10Hz	符合 Acc. to EN 60947-5-6 (Namur)
KFD2-SR2-Ex2.W			2				
KFA6-SR2-Ex1.W	220V AC		1	<40V DC/2A, 80W			
KFA6-SR2-Ex2.W			2				

## YXH 坚固型电接点压力表 Sturdy type electric contact pressure gauge

			
坚固型不锈钢电接点压力表 Stainless steel electric contact pressure gauge (sturdy type) 外径 Diameter: Φ100/150		坚固型不锈钢耐震电接点压力表 Stainless steel shake-resistant electric contact pressure gauge (sturdy type) 外径 Diameter: Φ100/150	
带有电接点控制开关, 通常与继电器、接触器配套使用, 可实现发讯报警或控制功能。 With electric contact control switch, generally, matched with relay or contactor, it can realize signal-sending(alarm) and automation.		带有电接点控制开关, 通常与继电器、接触器配套使用, 可实现发讯报警或控制功能。 充液耐震型适应工作环境振动或介质压力脉动条件。 With electric contact control switch, generally, matched with relay or contactor, it can realize signal-sending(alarm) and automation. With liquid filled case for applications with high dynamic pressure loads or vibrations.	
坚固型, 内卡式 Sturdy type, inside bayonet 密封型壳体结构 Airtight type case 外壳防护等级 Protection proof: GB/T 4208 idt IEC 60529 IP66 防爆接线盒, 适应户外安装条件 Explosion-proof connector, suitable for field mounting		坚固型, 内卡式 Sturdy type, inside bayonet 密封型壳体结构 Airtight type case 外壳防护等级 Protection proof: GB/T 4208 idt IEC 60529 IP66 防爆接线盒, 适应户外安装条件 Explosion-proof connector, suitable for field mounting	
外壳 Case: 304S.S. (316L 可选 316L S.S. available) 弹簧管 Bourdon tube: 316L S.S. 接头 Socket: 304/316L/321 S.S. 测量系统采用氩弧焊 Measuring system: argon arc welding 铝度盘, 白底黑字 Dial: aluminum, white, black lettering 层压安全玻璃 Laminated safety glass 内部限止装置 Internal limit stop device 安全泄压装置: 向上, 可选向后释放 Safety blow out: top, back available		外壳 Case: 304S.S. (316L 可选 316L S.S. available) 弹簧管 Bourdon tube: 316L S.S. 接头 Socket: 304/316L/321 S.S. 测量系统采用氩弧焊 Measuring system: argon arc welding 铝度盘, 白底黑字 Dial: aluminum, white, black lettering 层压安全玻璃 Laminated safety glass 内部限止装置 Internal limit stop device 安全泄压装置: 向上, 可选向后释放 Safety blow out: top, back available	
精确度 Accuracy: ±1.6, 1.0%F.S. 设定点偏差 Set-point error: ±4% F.S.(YXCH, YXZH) 量程 Span: 0.1MPa~160MPa 连接规格 Connection: M20×1.5 电气接口 Electrical connection: M20×1.5(F)		精确度 Accuracy: ±1.6, 1.0%F.S. 设定点偏差 Set-point error: ±4% F.S.(YXCHN, YXZHN) 量程 Span: 0.1MPa~160MPa 连接规格 Connection: M20×1.5 电气接口 Electrical connection: M20×1.5(F)	
上翻针接点 Contact type	YXCH 磁助式 With magnetism closed 220/380V AC, 30VA, 1A	上翻针接点 Contact type	YXCHN 磁助式 With magnetism closed 220/380V AC, 30VA, 1A
	YXH 无磁助式 Without magnetism 220/380V AC, 10VA, 0.7A		YXHN 无磁助式 Without magnetism 220/380V AC, 10VA, 0.7A
	YXZH 磁簧式 Magnetism reed type 12/24V DC, 1W, 0.5A		YXZHN 磁簧式 Magnetism reed type 12/24V DC, 1W, 0.5A
	YXDH 光电式 Photoelectric sensor 220V AC, 250VA, 5A		YXDHN 光电式 Photoelectric sensor 220V AC, 250VA, 5A
控制方式: 上下限 Control type: upper-lower limits (SPDT) 双上限/双下限/下上限/单上限/单下限, 可选 Other control type available 控制方式参见 Refer to 05.02 (YX) 触头镀金 Contact gold-plated 2um (YXCH, YXH) 非防爆型 Can't be applied to explosive situations		控制方式: 上下限 Control type: upper-lower limits (SPDT) 双上限/双下限/下上限/单上限/单下限, 可选 Other control type available 控制方式参见 Refer to 05.02 (YX) 触头镀金 Contact gold-plated 2um (YXCHN, YXHN) 非防爆型 Can't be applied to explosive situations 耐震型采用专用填充液 Special liquid filled	
正常工作环境温度 Ambient and medium temperature: -40~70℃ 安全工作介质温度 Safety medium temperature: <200℃ 相对湿度 Relative humidity <85%		正常工作环境温度 Ambient and medium temperature: -25~55℃ 安全工作介质温度 Safety medium temperature: <200℃ 相对湿度 Relative humidity <85%	
正常工作环境振动条件: GB/T 17214.3 V.H.3 级 Shake-resistant grade: GB/T 17214.3 V.H.3 degree		正常工作环境振动条件: GB/T 17214.3 V.H.4 级 Shake-resistant grade: GB/T 17214.3 V.H.4 degree	
执行标准 Executive standard: JB/T 9273-1999		执行标准 Executive standard: JB/T 9273-1999, JB/T 6804-2006	





YXCHN-100



YXCH-150



YXZH-150

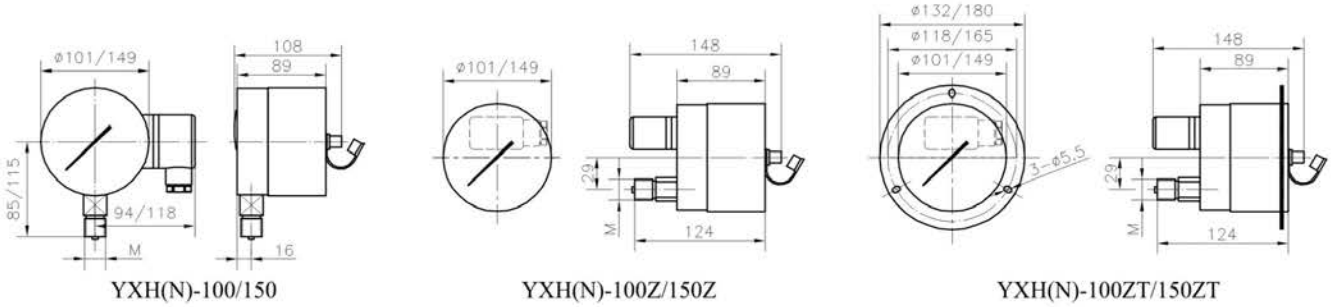


YXCH-100Z



YXZH-100ZT

尺寸示意图 Dimensions:



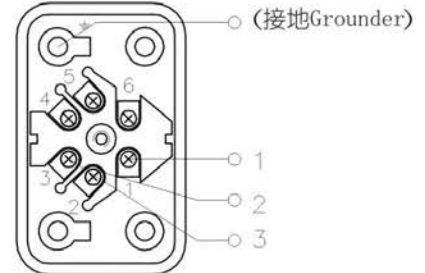
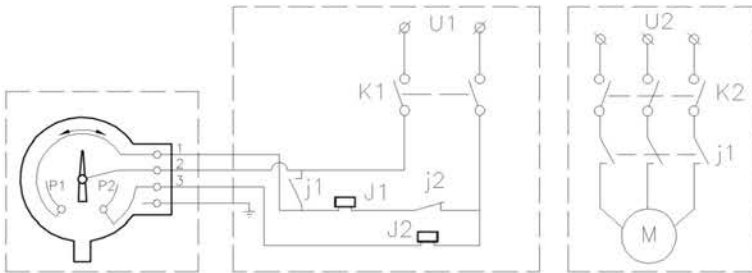
电气接线图 Wiring scheme:

电接点压力表 Pressure gauge

控制电路 Control circuit

工作电路 Working circuit

防爆接线盒 Explosion-proof connector



以上下限控制方式为例，仅供参考 Example: upper-lower limits type

1 - 下限 lower, 2 - 共相 shared, 3 - 上限 upper

选型 How to order:

范例：100型磁助式不锈钢耐震电接点压力表，坚固型，220V AC，径向直接式

Example: Stainless steel shake-resistant electric contact pressure gauge, with magnetism closed (220V AC), sturdy type, Φ100, bottom mounting

1-接点型式	2-耐震	3-公称直径	4-安装方式	5-材质
Y	XC	H	N	—
				100
				ZT
				(316L)

代号 Code	(无 Non)	/ 316L	(316L)
材质选项 Mat. options	表壳 Case 304 接头 Socket 304	表壳 Case 304 接头 Socket 316L	表壳 Case 316L 接头 Socket 316L

代号 Code	安装方式 Mounting type
(无 Non)	径向直接式 Bottom mounting
Z	轴向直接式 Back mounting
ZT	轴向盘装式 Back panel with front flange

代号 Code	(无代号 Non code)	N
耐震型 Type	不充液 Dry type	充液耐震 Liquid filled (shake-resistant)

代号 Code	接点型式 Contact type
XC	磁助式 With magnetism closed, 220/380V AC, 30VA, 1A
X	无磁助式 Without magnetism, 220/380V AC, 10VA, 0.7A
XZ	磁簧式 Magnetism reed type, 12/24V DC, 0.5A
XD	光电式 Photoelectric sensor type, 220V AC, 250VA, 5A

## YX (耐震) 电接点压力表 (Shake-resistant) electric contact pressure gauge

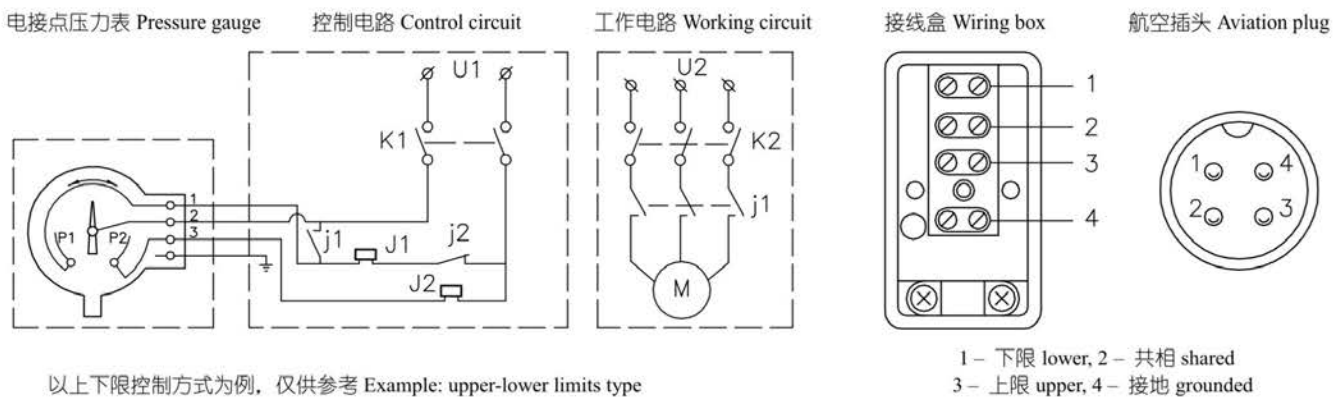
			
电接点压力表 Electric contact pressure gauge 外径 Diameter: Φ60/100/150		耐震电接点压力表 Shake-resistant electric contact pressure gauge 外径 Diameter: Φ100/150	
带有电接点控制开关, 通常与继电器、接触器配套使用, 可实现发讯报警或控制功能。 With electric contact control switch, generally, matched with relay or contactor, it can realize signal-sending(alarm) and automation.		带有电接点控制开关, 通常与继电器、接触器配套使用, 可实现发讯报警或控制功能。 充液耐震型适应工作环境振动或介质压力脉动条件。 With electric contact control switch, generally, matched with relay or contactor, it can realize signal-sending(alarm) and automation. With liquid filled case for applications with high dynamic pressure loads or vibrations.	
经济型壳体结构, 罩圈+塑料衬圈+螺钉式, 有机玻璃 Sale price type case construction, PMMA 外壳防护等级 Protection proof: GB/T 4208 idt IEC 60529 IP54 黑色塑料接线盒 Black plastic wiring box		密封型壳体结构, PC 安全玻璃 Airtight type case, PC safety glass 外壳防护等级 Protection proof: GB/T 4208 idt IEC 60529 IP65 航空插头 aviation plug 16M-4AH	
铝度盘, 白底黑字, 黑色指针 Dial: aluminum, white, black lettering, black pointer		铝度盘, 白底黑字, 黑色指针 Dial: aluminum, white, black lettering, black pointer	
精确度 Accuracy: ±1.6%F.S.(Φ100/150), ±2.5%F.S.(Φ60) 设定点偏差 Set-point error: ±4% F.S.(YXC,YXZ) 连接规格 Connection: M20×1.5(Φ100/150), M14×1.5(Φ60)		精确度 Accuracy: ±1.6%F.S. 设定点偏差 Set-point error: ±4% F.S.(YXC,N,YXZ,N) 连接规格 Connection: M20×1.5	
材质选项 Material option	普通型 General type 外壳: 08F 喷黑塑 Case: black plastic plated 弹簧管: 磷铜 Bourdon tube: phosphor bronze 接头: HPb59-1 黄铜 Socket: brass HPb59-1 测量系统采用 50%锡焊 Measuring system: 50% soft soldering	材质选项 Material option	普通型 General type 外壳: 08F 镀铬 Case: 08F chromium plated 弹簧管: 磷铜 Bourdon tube: phosphor bronze 接头: HPb59-1 黄铜 Socket: brass HPb59-1 测量系统 50%锡焊 Measuring system: 50% soft soldering
	不锈钢型 Stainless steel type 外壳 Case: 304S.S 弹簧管 Bourdon tube: 316L S.S.. 接头 Socket: 304/316L S.S. 测量系统氩弧焊 Measuring system: argon arc welding		不锈钢型 Stainless steel type 外壳 Case: 304S.S 弹簧管 Bourdon tube: 316L S.S.. 接头 Socket: 304/316L S.S. 测量系统氩弧焊 Measuring system: argon arc welding
接点型式 Contact type	YXC 磁助式 With magnetism closed 220/380V AC, 30VA, 1A	接点型式 Contact type	YXCN 磁助式 With magnetism closed 220/380V AC, 30VA, 1A
	YX 无磁助式 Without magnetism 220/380V AC, 10VA, 0.7A		YXN 无磁助式 Without magnetism 220/380V AC, 10VA, 0.7A
	YXZ 磁簧式 Magnetism reed type(Φ100/150) 12/24V DC, 1W, 0.5A		YXZN 磁簧式 Magnetism reed type 12/24V DC, 1W, 0.5A
	YXD 光电式 Photoelectric sensor (Φ100/150) 220V AC, 250VA, 5A		YXDN 光电式 Photoelectric sensor 220V AC, 250VA, 5A
控制方式: 上下限 Control type: upper-lower limits (SPDT) 双上限/双下限/下上限/单上限/单下限, 可选 Other control type available 触头镀金 Contact gold-plated (YXC, YX) 非防爆型 Can't be applied to explosive situations		控制方式: 上下限 Control type: upper-lower limits (SPDT) 双上限/双下限/下上限/单上限/单下限, 可选 Other control type available 触头镀金 Contact gold-plated (YXC,N, YXN) 非防爆型 Can't be applied to explosive situations 耐震型采用专用填充液 Special liquid filled	
正常工作环境温度 Ambient and medium temperature: -40~70℃ 安全工作介质温度 Safety medium temperature: <100℃ (普通型 General type), <200℃ (不锈钢型 Stainless steel type) 相对湿度 Relative humidity <85%		正常工作环境温度 Ambient and medium temperature: -25~55℃ 安全工作介质温度 Safety medium temperature: <100℃ (普通型 General type), <200℃ (不锈钢型 Stainless steel type) 相对湿度 Relative humidity <85%	
正常工作环境振动条件: GB/T 17214.3 V.H.3 级 Shake-resistant grade: GB/T 17214.3 V.H.3 degree		正常工作环境振动条件: GB/T 17214.3 V.H.4 级 Shake-resistant grade: GB/T 17214.3 V.H.4 degree	
执行标准 Executive standard: JB/T 9273-1999		执行标准 Executive standard: JB/T 9273-1999, JB/T 6804-2006	



控制方式 Control type:

上下限(缺省) upper-lower (SPDT) 下限 1-2: 常闭 NC 上限 2-3: 常开 NO	双上限 double upper 上限 1-2: 常开 NO 上限 2-3: 常开 NO	双下限 double lower 下限 1-2: 常闭 NC 下限 2-3: 常闭 NC	下上限 lower-upper 下限 1-2: 常开 NO 上限 2-3: 常闭 NC	单上限 single upper 上限 2-3: 常开 NO	单下限 single lower 下限 1-2: 常闭 NC

电气接线图 Wiring scheme:



选型 How to order:

范例: 100 型磁簧式不锈钢电接点压力表, 轴向盘装, 24V DC

Example: Stainless steel electric contact pressure gauge, magnetism reed type(24V DC), Φ100, back panel with front flange

1-接点型式	2-防震	3-公称直径	4-安装方式	5-壳体型式	6-材质
Y	XZ	—	100	ZT	H

代号 Code	材质 Material
(无 Non)	普通型 General type
H	不锈钢型 Stainless steel type 接头 Socket: 304 S.S.
H/316L	不锈钢型 Stainless steel type 接头 Socket: 316L S.S.

代号 Code	壳体型式 Case type
(无 Non)	普通壳体 Sale price type case, IP54
A	密封型壳体 Airtight type case, IP65 仅提供 Φ100/150, Φ100/150 only

代号 Code	安装方式 Mounting type	备注 Note
(无 Non)	径向直接式 Bottom mounting	T(径向墙装式 Bottom with back flange), TQ(径向盘装式 Bottom panel with front flange) 可向厂家协议咨询 Consult the manufacturer
Z	轴向直接式 Back mounting	
ZT	轴向盘装式 Back panel with front flange	

代号 Code	(无代号 Non code)	N
防震型 Type	不充液 Dry type	充液防震 Liquid filled(shake-resistant) 仅提供 Φ100/150, Φ100/150 only

代号 Code	接点型式 Contact type
XC	磁助式 With magnetism closed, 220/380V AC, 30VA, 1A
X	无磁助式 Without magnetism, 220/380V AC, 10VA, 0.7A
XZ	磁簧式 Magnetism reed type, 12/24V DC, 0.5A
XD	光电式 Photoelectric sensor type, 220V AC, 250VA, 5A

## Y-M 隔膜压力表 Diaphragm seal pressure gauge



YTH-100MFB3

YB-160H/MLB

YQS-4.5MFB3

YTHN-100MLB/GY

YTQN-100MD

YXGN-100MFB+F4

### 结构示意图 System structure :

隔膜压力表由表头（弹簧管压力表）、连接器（功能附件）及隔膜隔离器（化学密封）组成。

Diaphragm seal pressure gauge is composed of a conventional pressure gauge, connectors (function accessories) and a diaphragm seal (chemical seals).

### 弹簧管压力表（表头） Bourdon tube pressure gauges



YTH, YTF, YQF

YB

YTQ, YQS

YTD, YTZ

YX

CY

YTN

Y

不锈钢压力表

精密压力表

安全型压力表

变送式压力表

电接点压力表

不锈钢差压表

耐震压力表

一般压力表 等

Stainless steel PG

Precise PG

Safety type S.S.PG

Transmissible PG

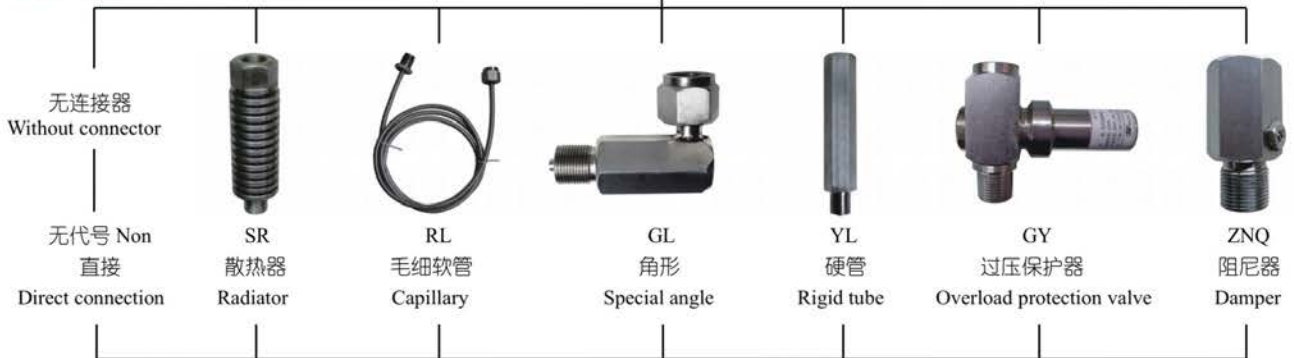
Electric contact PG

Differential PG

Shake-resistant PG

General PG etc.

### 连接器（功能附件） Connectors (function accessories)



### 隔离器（化学密封） Diaphragm seals (chemical seals)







YTQN-100MFB1



YTQN-100MGH



YTF-100MLB/SR



YXZN-100MT2



YTH-100MT



YTH-150D/MLB

### 简介 Brief:

集成了隔膜密封装置（化学密封）的隔膜压力表，可将被测介质完全隔离于仪表测量系统之外，避免其直接进入仪表测量元件内部。适用于测量弹簧管压力表无法适应的强腐蚀、高温、高粘度、易结晶、易凝固或有固体悬浮物的流体介质压力。

隔膜压力表将弹簧管压力表与隔膜分离器、连接器有机地组合成一个隔膜式测压系统。广泛应用在石油、化工、氯碱、染化、化纤、制药、食品等工业部门的压力检测系统上。

卫生型隔膜压力表具备安装拆卸方便、易于清洗、以防止沉淀物质积聚的功能。

在线式隔膜压力表在安装后，其分离器直接成为压力主管线的一部分，从而对流速快、粘度大的介质具有更强的适应性。

Diaphragm seal pressure gauge system, was integrated a diaphragm seals (chemical seals), medium can be completely isolated from the measuring system, in order to avoid direct access to the bourdon tube. This combination enables a Bourdon tube pressure gauge to measure medium of strong corrosive, high temperature, aggressive and highly viscous, containing suspended matter or crystal.

Diaphragm seal pressure gauge combine Bourdon tube pressure gauge and diaphragm seals, connectors, organically into a diaphragm seals measure system. The gauge is widely used in petroleum, chemical industry, dyestuff, chlor-alkali industry, chemical fiber, food, pharmaceutical, etc.

Hygienic diaphragm seal pressure gauge is characterized in easy installation, easy cleaning which can prevent the accumulation of sediment.

After the diaphragm in-line seal pressure gauge is installed, the diaphragm in-line seals has become part of the pressure pipeline. It is more adaptable to flowing, viscous media.

### 原理简述 Principle description:

当压力作用于隔离膜片使其产生变形，压缩隔离器内的传导液，同时产生一个相应的压力作用于仪表测量元件。当隔膜的刚度足够小时，测量系统感应到的压力相对被测介质压力的衰减也比较小，测量系统因而指示出接近于测介质压力的数值。

仪表安装或使用中请勿自行松动表头、连接器、隔离器间的连接螺纹，以免造成填充液外泄而导致仪表失效。

产品执行标准：JB/T 8624-1997。

When the diaphragm is distortion by the medium pressure P, compression the working fluid in the diaphragm system, and a corresponding pressure at the measuring element. When the stiffness of diaphragm is enough low, measuring system feel that relatively the medium pressure decay is relatively low, measuring system thus indicates that close to medium pressure values.

In the installation and operation, please don't disassemble the thread connections of gauge, connectors, between the diaphragm seals, in order to avoid working liquid leakage resulting failure.

Executive standard: JB/T 8624-1997.

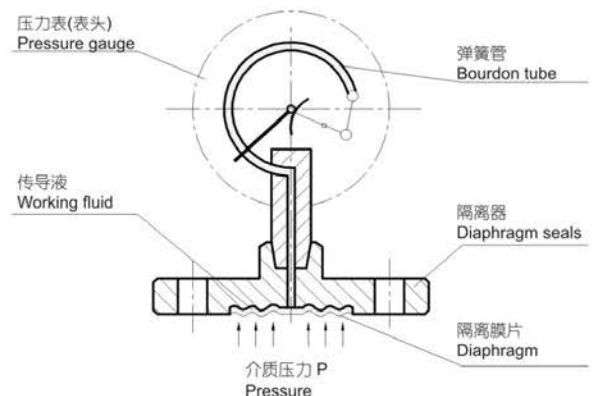
### 温度影响 Temperature influence:

隔膜膜片部位的使用温度一般不超过 200℃。隔膜隔离系统内的填充液受温度影响所产生的体积变化，将直接导致测量系统最终读数的变化。其大小取决于填充液的温度膨胀系数、隔膜刚度及受压部的温度。对低量程仪表，其影响尤为明显。隔膜表的温度影响量应为测量系统与隔膜装置的温度影响量之和。当工作温度偏离 20℃ ± 5℃ 时，隔膜表的示值误差影响量为：

刚性连接：< 0.1% F.S./℃，柔性连接 < (0.1+0.025L)% F.S./℃ (L-传压导管长度，m)。

The diaphragm applied part operation temperature does not exceed 200℃. The volume change caused by the change of fluid temperature in the diaphragm seal system will lead directly to the final reading of the measurement system. Its value depends on the temperature coefficient of filling, the diaphragm stiffness and compression of the temperature. On the low-range gauge, its effect is particularly pronounced. Effect of temperature on the diaphragm equals the sum of effects on measurement system and the temperature of diaphragm seals. When the working temperature deviation from 20℃ ± 5℃, the maximum indication varies within:

Rigid connections: ≤ 0.1% F.S./℃, Flexible connection ≤ (0.1+0.025L)% F.S./℃ (L- length of capillary in m).





YTHN-100MT/GL



YTHN-60P/MLP



YTF-100MFB3/SR



YXCH-150MLB



Y-100T/MFB2/RL2



YQF-40MLH

### 液位差 Level difference:

由于隔膜表测量点与测量系统弹性元件间存在的相对高度差, 传导液的重力会导致隔膜表的读数与被测介质的实际压力间产生一个液位差影响量  $\Delta P$ 。刚性连接隔膜表在校验时已经计入了该影响量。由于柔性连接的导管具有一定长度, 该影响量尤为明显且出厂前无法进行预补偿。使用中, 液位差影响量的大小可以按照如下近似公式计算:

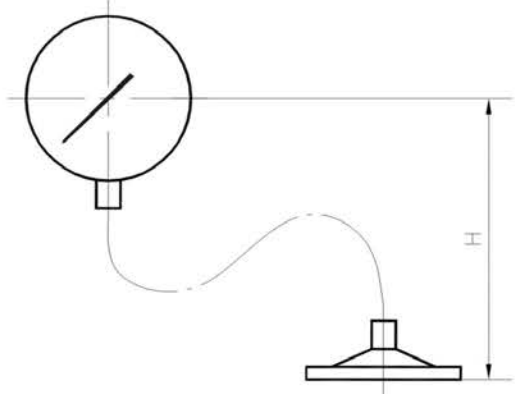
$$\Delta P = \rho H / 100$$

式中:  $\Delta P$ —液位差影响量(MPa);  $\rho$ —传导液的密度( $10^3\text{kg/m}^3$ );  $H$ —液位差高度(m)。

Due to the relative height between measuring system and measuring point, working liquid weight leads to difference between the number indication and the actual pressure level influence  $\Delta P$ . Rigid connection gauges has included the amount of influence. Due to the flexible connection pipe with a length, and that influence quantity is particularly evident, which factory cannot be compensated in advance. In use, the level difference can calculate in accordance with the following approximate formula:

$$\Delta P = \rho H / 100$$

$\Delta P$  - Level differential influence quantity (MPa).  $\rho$  - Working fluid density ( $10^3\text{kg/m}^3$ ).  $H$  - The level difference of height (m).



### 耐腐蚀性 Corrosion resistance:

隔膜表的耐腐蚀性可以通过选择相适应的隔离膜片材质、接液元件(法兰及螺纹接头)材质和内部密封垫圈材质来保证。

隔离膜片的材质主要有: 316L、哈氏-C合金、蒙乃尔合金、钛、镍、钽、304L、316L 衬氟塑料 PTFE、316L 镀金等。

接液元件(法兰或螺纹接头)的材质主要有: 304、316L、304 衬 PTFE 等。

对法兰连接式隔膜表, MFB3 平焊膜片式分离器, 能保证法兰本体不参与接液, 从而提高耐腐蚀性能。

密封垫圈的材质主要有: 氟塑料 PTFE、丁腈橡胶、硅橡胶、氟橡胶等。无特殊要求时, 本公司提供聚四氟乙烯密封垫圈。

The corrosion resistance of the diaphragm seals should be guaranteed by selecting a compatible diaphragm material, wetted components material and gasket material.

Diaphragm material: 316L, Hastelloy-C, Monel, Titanium, Nickel, Tantalum, 304L, 316L coated PTFE, 316L gold plated, etc.

Wetted components (for example flanges or threaded connector) material: 304, 316L, 304 coated PTFE, etc.

For flange diaphragm seals, MFB3 flush diaphragm ensures that the flange does not wetting by media, thereby improving the corrosion resistance.

Gasket material: PTFE, NBR, Silicon rubber, Viton, etc. No special requirements, our company provides PTFE sealing gaskets.

### 附: 常用仪表材料的耐腐蚀性能

- 1、Ta (金属钽 Ta): 具有优良的耐腐蚀性能。除氢氟酸、苛性碱外, 在其它腐蚀介质中具有优良的耐腐蚀性能, 特别能耐盐酸和王水的腐蚀。
- 2、HC (哈氏 C-276): 在氧化-还原性介质中耐腐蚀性能良好。适用于干氯气、硝酸 ( $<50^\circ\text{C}$ )、磷酸、醋酸、多种氯化物、苛性钠、海水及多种有机酸, 也能有条件地用于盐酸和硫酸。有一定的晶间腐蚀倾向。
- 3、M (蒙乃尔 K-400): 能耐多种还原性介质腐蚀, 特别是在氢氟酸和碱中性能稳定。适用于氢氟酸、氯化物、干燥氯气、碱及有机酸等。不耐盐酸及潮湿的硫化氢蒸汽腐蚀。
- 4、Ti (工业纯钛): 能耐海水、各种氯化物和次氯酸盐、湿氯、硝酸等氧化性酸、王水、有机酸、碱等介质的腐蚀。不耐较纯的还原性酸(盐酸、硫酸)、干氯气、四氯化钛等腐蚀。
- 5、316L (316L S.S.): 主要适用于水蒸汽、热碱溶液、沸腾的磷酸、氢硫酸、醋酸、甲酸、亚硫酸等介质。尤其能耐各种温度、浓度的硝酸腐蚀。耐硫酸、湿氯气及某些氯化物介质腐蚀能力较差。
- 6、F4 (316L S.S.衬 PTFE): 除受三氟化氯、高温三氟化氧、高流速的液氟及高温氟气侵蚀外, 在几乎所有介质中具有化学稳定性。
- 7、Au (316L S.S.镀金): 耐腐蚀性与钽类似, 能耐各种酸、碱、盐的腐蚀, 但对王水及卤素的耐蚀性能较差。特别适用于高温氯化氢及氢气。





YQF-100MFB4+F4



YQF-100MFB7



YTH-100MC



YQF-100MN



YQF-100MFB5



YSN-60MLS

**Attached: several commonly used diaphragm material corrosion resistance**

1, Ta (Tantalum): has excellent corrosion resistance, except hydrofluoric acid, caustic soda, and other corrosion medium. Has excellent corrosion resistance, particularly resistant to corrosion of hydrochloric acid and aqua regia.

2, HC (Hastelloy C-276): oxidation-reductive medium good corrosion resistance. Apply to dry chlorine and nitric acid (<math>< 50\text{ }^\circ\text{C}</math>), phosphoric acid, acetic acid, many chlorides, caustic soda, seawater and various organic acids, that can conditionally used in hydrochloric acid and sulfuric acid. There is a certain tendency to inter crystalline corrosion.

3, M (Monel K-400): resistant against corrosion in a variety of reductive medium, particularly in hydrofluoric acid and alkali base stable performance. Apply hydrofluoric acid, chlorides, dry chlorine, caustic soda and organic acids, etc. Not resistant to hydrochloric acid and damp hydrogen sulfide vapor corrosion.

4, Ti (Titanium): resistant to seawater, various kinds of chlorine and hypochlorite, wet chlorine and nitric acid and oxidizing acids, organic acids, alkali, aqua regia and other media. Not resistant to relatively pure reduction acid (hydrochloric acid, sulfuric acid), dry chlorine, Titanium tetrachloride and corrosion.

5, 316L (316L S.S.): mainly applicable for steam, hot water, alkaline solutions, boiling sulfuric acid, phosphoric acid, hydrogen, formic acid, acetic acid, sulfurous acid, and other media. Particularly resistant to various temperature, concentration of nitric acid corrosion. Low resistance to sulfuric acid, wet chlorine and some chlorine corrosion medium.

6, F4 (316L S.S.coated PTFE): except for  $\text{ClF}_3$ , high temperature  $\text{OF}_3$ , high-velocity liquid fluorine and fluorine at high temperature, corrosion resistance to the corrosion of virtually all medium.

7, Au (316L S.S.gold plated): corrosion resistance similar to tantalum, ability to resist all kinds of acid, alkali, salt corrosion, but the poor corrosion resistance of aqua regia and halogen. Very suitable for high temperature hydrogen chloride and hydrogen.

**传导液的选择 Working fluid:**

为了保证隔膜表使用的可靠性及安全性, 应根据仪表的使用场合及条件选择合适的传导液。

In order to ensure the reliability of the diaphragm seals, please select the appropriate working liquid under instrument conditions.

传导液 Working fluid	隔离器温度范围 Temperature range of diaphragm seals	密度 $\text{g/cm}^3$ Density	体积膨胀系数 $1/^\circ\text{C}$ Factor of expansion	用途 Purpose
低粘度硅油 Low viscosity silicone oil	-35 $^\circ\text{C}$ ~200 $^\circ\text{C}$	0.94	$0.96 \times 10^{-3}$	一般用(缺省) General
低温硅油 Low temperature silicone oil	-45 $^\circ\text{C}$ ~180 $^\circ\text{C}$	0.92	$1.05 \times 10^{-3}$	低温用 Low temperature
高温硅油 High temperature silicone oil	-5 $^\circ\text{C}$ ~340 $^\circ\text{C}$	1.04	$0.87 \times 10^{-3}$	高温用 High temperature
甘油水溶液 Glycerol-water solution	-5 $^\circ\text{C}$ ~100 $^\circ\text{C}$	1.27	$0.61 \times 10^{-3}$	食品用 Food
植物油 Vegetable oil	-5 $^\circ\text{C}$ ~100 $^\circ\text{C}$	0.93	$1.03 \times 10^{-3}$	食品用 Food
氟油 Fluorecarbon oil	-30 $^\circ\text{C}$ ~160 $^\circ\text{C}$	1.93	$1.10 \times 10^{-3}$	特殊介质 Special medium

**连接器 Connectors:**

散热器、硬管用于降低介质温度对仪表带来的不利影响。

角形及软管连接器用于适应不同的安装位置。

过压保护器用于自动切断过压, 以保护仪表测量系统不被损坏。

阻尼器用于减轻介质压力脉动对仪表测量系统的不利影响。

连接器型号及尺寸可参见 09.02 压力表附件。

Radiator and rigid tube is suitable for lower the temperature on the negative impact of pressure gauge.

Special angle and capillary connector should adapted it to special installation location.

Overload protection valve is suitable for cut off the overload-pressure, and protect the measuring system.

Damper is suitable for mitigate the adverse effects of media high dynamic pressure loads on measurement system.

Code and dimension of connectors refer to 09.02 Gauge accessories.

**选型 How to order:**

范例 1:  $\Phi 100$  不锈钢耐震隔膜压力表, 带平焊型法兰隔膜密封, 隔膜材质钽, 带过压保护器。

Example 1:  $\Phi 100$  stainless steel shake-resist pressure gauge, with MFB3 flange diaphragm seals, diaphragm material Tantalum, with overload protection valve.

1-配用仪表型号 Conventional pressure gauge	2-隔离器 Diaphragm seals	3-接液材质 Wetted components mat.	4-连接器 Connector	5-膜片材质 Diaphragm mat.
YTHN-100/	MFB3	+316L	/ GY	/ Ta

范例 2:  $\Phi 100$  不锈钢耐震电接点隔膜压力表, 24V DC, 带螺纹接头式隔离器, 哈氏 C 隔膜, 带阻尼器

Example 2:  $\Phi 100$  stainless steel shake-resist electric contact pressure gauge, 24V DC, with MLB standard thread type diaphragm seals, diaphragm material Hastelloy C, wetted components material 316L S.S., with damper.

1-配用仪表型号 Conventional pressure gauge	2-隔离器 Diaphragm seals	3-接液材质 Wetted components mat.	4-连接器 Connector	5-膜片材质 Diaphragm mat.
YXZHN-100/	MLB	+316L	/ ZNQ	/ HC

代号 Code 内容 Content

标记 Code				通用仪表 (表头) 型号 Conventional pressure gauge model			
YTH(N), YTF, YTQ(N), YQS(N), YQF(N), YB(N), YTZ, YTD(N), YX(N), Y, YTN, CY(N), 等 etc.				参见对应型号通用型压力仪表介绍 Equipped with conventional pressure gauge model			
标记 Code	隔离器型式 Diaphragm seal type	样本 guide	测量上限 Full scale	标记 Code	隔离器型式 Diaphragm seal type	样本 guide	测量上限 Full scale
MFB1	内置膜片式法兰 Flange, internal diaphragm	06.01	<2.5MPa	MT	探入式法兰 Extended flange	06.03	<16MPa
MFB2	活动法兰 Rotatable flange	06.01	<25MPa	MT2	探入式螺纹 Extended thread	06.03	<6MPa
MFB3	平焊膜片式法兰 Flange, flush diaphragm	06.01	<25MPa	MC	夹子式卫生型 Clamp connection (sanitary type)	06.04	<4MPa
MG	工字法兰 “H” type flange	06.01	<40MPa	MN	螺母式卫生型 Nut connection (sanitary type)	06.04	<2.5MPa
MLB	螺纹连接式 Standard thread type	06.02	<60MPa	MD	管道式 Sandwich type (in-line)	06.05	<40MPa
MLP	螺纹连接式 (塑料) Plastic thread type	06.07	<1MPa	MM	马鞍式 Saddle type (in-line)	06.06	<25MPa
标记 Code		(无 Non)		+316L		+F4	
接液材质 Wetted components mat.		304S.S. (缺省)		316L S.S.		304S.S.衬 PTFE, 304S.S. coated PTFE (MFB1, MLB, MD 可提供)	
标记 Code	连接器 Connector	标记 Code	连接器 Connector	标记 Code	连接器 Connector		
(无 Non)	直接连接 Direct connection	SR	散热器 Radiator	SR2	毛细管散热器 Capillary radiator		
RL1~RL10	软管连接-长度(1~10m) Capillary-length(1~10m)	GL	角形连接 Special angle	YL	硬管连接 Rigid tube		
ZNQ	阻尼器 Damper	GY	过压保护器 Overload protection valve	ZN	内置阻尼螺钉 Damp bolt		
标记 Code	隔膜片材质 Diaphragm material	主要适用介质 Purpose					
Ta	金属钽 Tantalum	除氢氟酸、苛性碱外的几乎所有介质 Except for hydrofluoric acid, caustic soda, outside of almost all media					
HC	哈氏 Hastelloy C-276	磷酸、硝酸、氯化物、氯气、苛性钠、氨水, 等 Phosphoric acid, nitric acid, chlorides, chlorine, caustic soda, etc.					
M	蒙乃尔 Monel K-400	氢氟酸、碱、有机酸、氯化物、干燥氯气, 等 Hydrofluoric acid, alkali, organic acids, chlorides, dry chlorine, etc.					
Ti	工业纯钛 Titanium	各种氯化物和次氯酸盐、湿氯、硝酸、王水、有机酸、碱等 Variety of chloride and sodium hypochlorite salts, wet chlorine and nitric acid, organic acids, alkali, aqua regia, etc.					
316L	316L S.S.	蒸汽、烧碱、纯碱、硫化氢、硝酸、磷酸、蚁酸, 等 Steam, alkaline solutions, hydrogen sulfide, nitric acid, phosphoric acid, formic acid, etc.					
F4	316L S.S.衬 coated PTFE	除三氟化氯、高温三氟化氧、高流速的液氟及高温氟气外的几乎所有介质 Except for ClF <sub>3</sub> , high temperature OF <sub>3</sub> , high-velocity liquid fluorine and fluorine at high temperature, almost all media					
Au	316L S.S.镀金 gold plated	除王水及卤素外的各种酸、碱、盐等。特别适用于高温氯化氢及氢气。 Except for aqua regia and halogen, outside of almost all kinds of acid, alkali, salt. Very suitable for high temperature hydrogen chloride and hydrogen					



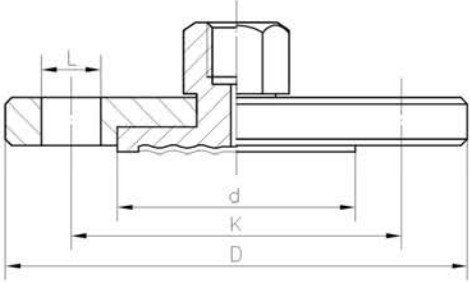
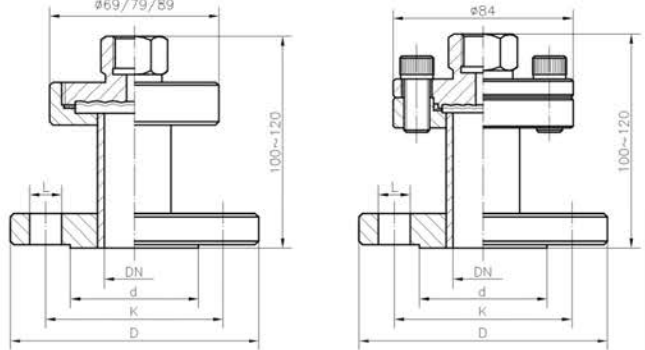
友情提示: 用户对连接规格、软管长度、密封垫圈材质、隔离液种类等事项有特殊要求时, 请在订货前向本公司明示。

Note: Clear declaration of special requirements on connection specifications, rigid tube length, gasket material, working fluid types is sincerely appreciated.



## MF/MG 法兰隔离器 Flange diaphragm seals

	
<p style="text-align: center;"><b>MFB1</b> 内置膜片式法兰 Flange, internal diaphragm</p>	<p style="text-align: center;"><b>MFB3</b> 平焊膜片式法兰 Flange, flush diaphragm</p>
<p>内置膜片及膜片座, 螺纹压紧                  法兰接触介质                  工作温度-40~150℃, 最高 200℃                  Internal diaphragm and diaphragm bed, upper and lower housing threaded.                  Flange should be wetting by medium                  Working temperature: -40~150℃, Max. 200℃</p>	<p>平膜片, 外焊于法兰密封面上, 法兰不参与接触介质                  工作温度-40~150℃, 最高 200℃                  必须配合专用法兰垫安装                  Flush diaphragm, welded on the flange sealing face and covered it                  Flange should not be wetting by medium                  Working temperature: -40~150℃, Max. 200℃                  Installing should with special gasket</p>
<p>膜片材质: 钽、哈氏 C、哈氏 B、钛、镍、蒙乃尔、316L、304L、316L 衬 PTFE、316L 镀金等                  法兰材质: 304/316L S.S. 304SS 衬 PTFE, 特殊材质订制                  Diaphragm material: Tantalum, Hastelloy C, Hastelloy B, Titanium, Nickel, Monel, 316L, 304L, 316L coated PTFE, 316L gold plated, etc.                  Flange material: 304/316L S.S. 304 coated PTFE, other material available.</p>	<p>膜片材质: 钽、哈氏 C、哈氏 B、镍、蒙乃尔、316L、304L、316L 衬 PTFE、316L 镀金等                  法兰材质: 304/316L S.S. 特殊材质订制                  Diaphragm material: Tantalum, Hastelloy C, Hastelloy B, Nickel, Monel, 316L, 304L, 316L coated PTFE, 316L gold plated, etc.                  Flange material: 304/316L S.S. other material available.</p>
<p>量程 Span: 0.1MPa~2.5MPa, 最小量程取决于法兰及膜片尺寸                  Minimum range is depending on flange and diaphragm diameter</p>	<p>量程 Span: 0.1MPa~25MPa, 最小量程取决于法兰及膜片尺寸                  Minimum range is depending on flange and diaphragm diameter</p>
<p>其它事项参见 06.00 隔膜压力表                  Other options refer to 06.00 Diaphragm seal pressure gauge</p>	<p>其它事项参见 06.00 隔膜压力表                  Other options refer to 06.00 Diaphragm seal pressure gauge</p>
<p>仪表接口: 内螺纹 M20 × 1.5                  Instrument connection: female thread M20 × 1.5</p>	<p>仪表接口: 内螺纹 M20 × 1.5                  Instrument connection: female thread M20 × 1.5</p>
<p>法兰执行标准 Flange standard:                  HG/T 20592-2009, HG/T 20615-2009                  GB/T9124.1-2019, GB/T9124.2-2019                  ANSI B 16.5                  DIN 2501                  JIS B 2220-2004                  参见法兰规格 Refer to: Flange standard</p>	<p>法兰执行标准 Flange standard:                  HG/T 20592-2009, HG/T 20615-2009                  GB/T9124.1-2019, GB/T9124.2-2019                  ANSI B 16.5                  DIN 2501                  JIS B 2220-2004                  参见法兰规格 Refer to: Flange standard</p>
<p>法兰通径 DN15/20/25/32/40/50/65/80 (0.75/1/1.25/1.5/2/2.5/3")                  法兰压力等级 PN6/10/16/25/40/63/100bar                  Class 150/300/600/900                  法兰密封面 Sealing face: RF, M, FM, RJ, T, G</p>	<p>法兰通径 DN15/20/25/32/40/50/65/80 (0.75/1/1.25/1.5/2/2.5/3")                  法兰压力等级 PN6/10/16/25/40/63/100/160/250bar                  Class 150/300/600/900/1500/2500                  法兰密封面 Sealing face: RF, M, FM, RJ, T, G</p>
	

	
<p style="text-align: center;"><b>MFB2</b> 活动法兰 Rotatable flange</p>	<p style="text-align: center;"><b>MG</b> 工字法兰 “H” type flange</p>
<p>平膜片焊于膜片座上，空套活动法兰，法兰不参与接触介质                  工作温度-40~150℃，最高 200℃                  必须配合专用法兰垫安装                  Flush diaphragm, welded on the flange sealing face and covered it                  Rotatable flange, agnle adjustable                  Flange should not be wetted by medium                  Working temperature: -40~150℃, Max. 200℃                  Installing should with special gasket</p>	<p>内置膜片及膜片座，螺纹压紧，法兰接触介质                  多种膜片尺寸以适应量程                  工作温度-40~200℃，最高 250℃                  Internal diaphragm and diaphragm bed, upper and lower housing threaded.                  Flange should be wetted by medium                  Multifold diaphragm dimension adapted for range                  Working temperature: -40~200℃, Max. 250℃</p>
<p>膜片材质: 钽、哈氏 C、哈氏 B、镍、蒙乃尔、316L、304L、316L 衬 PTFE、316L 镀金等                  法兰材质: 304/316L S.S.特殊材质订制                  Diaphragm mat.: Tantalum, Hastelloy C, Hastelloy B, Nickel, Monel, 316L, 304L, 316L coated PTFE, 316L gold plated, etc.                  Flange material: 304/316L S.S. other material available.</p>	<p>膜片材质: 钽、哈氏 C、哈氏 B、钛、镍、蒙乃尔、316L、304L、316L 衬 PTFE、316L 镀金等                  法兰材质: 304/316L S.S. 304SS 衬 PTFE, 特殊材质订制                  Diaphragm mat.: Tantalum, Hastelloy C, Hastelloy B, Titanium, Nickel, Monel, 316L, 304L, 316L coated PTFE, 316L gold plated, etc.                  Flange material: 304/316L, 304S.S. coated PTFE, other material available.</p>
<p>量程 Span: 0.1MPa~25MPa, 最小量程取决于法兰及膜片尺寸                  Minimum range is depending on flange and diaphragm diameter</p>	<p>量程 Span: 0.1MPa~40MPa</p>
<p>其它事项参见 06.00 隔膜压力表                  Other options refer to 06.00 Diaphragm seal pressure gauge</p>	<p>其它事项参见 06.00 隔膜压力表                  Other options refer to 06.00 Diaphragm seal pressure gauge</p>
<p>仪表接口: 内螺纹 M20×1.5                  Instrument connection: female thread M20×1.5</p>	<p>仪表接口: 内螺纹 M20×1.5                  Instrument connection: female thread M20×1.5</p>
<p>法兰执行标准 Flange standard:                  HG/T20592-2009, HG/T20615-2009                  GB/T9124.1-2019, GB/T9124.2-2019                  ANSI B16.5                  DIN2501                  JIS B2220-2004                  参见法兰规格 Refer to: Flange standard</p>	<p>法兰执行标准 Flange standard:                  HG/T20592-2009, HG/T20615-2009                  GB/T9124.1-2019, GB/T9124.2-2019                  ANSI B16.5                  DIN2501                  JIS B2220-2004                  参见法兰规格 Refer to: Flange standard</p>
<p>法兰通径 DN15/20/25/32/40/50/65/80 (0.75/1/1.25/1.5/2/2.5/3")                  法兰压力等级 PN6/10/16/25/40/63/100/160/250bar                  Class 150/300/600/900/1500/2500                  法兰密封面 Sealing face: RF, M, FM, RJ, T, G</p>	<p>法兰通径 DN15/20/25/32/40/50/65/80 (0.75/1/1.25/1.5/2/2.5/3")                  法兰压力等级 PN6/10/16/25/40/63/100/160/250bar                  Class 150/300/600/900/1500/2500                  法兰密封面 Sealing face: RF, M, FM, RJ, T, G</p>
	



**法兰规格 Flange standard :**

根据 GB (国标)、HG (化工标准)、DIN (德国)、ANSI (美国)、JIS (日本) 等法兰标准, 结合国内用户实际使用情况, 我公司可向用户提供以下常用规格的法兰分离器。同时, 也可根据用户提供或指定的法兰标准 (应包含标准代号、公称压力和通径等) 或图纸制造。

Under GB, HG, DIN, ANSI, JIS flange standard, combined with the actual usage of domestic users, our company can provide the user with the following common specifications of the flange dimensioning of diaphragm seals. At the same time, we can also produce according to the user-provided or specified standard flange (standard number, the nominal pressure and nominal diameter etc. should be described).

序号 Sequence	连接法兰标准及规格 Flange standard and specifications	法兰尺寸 Dimension of flange				
		D	K	d	L	螺栓 Bolts
1	HG/T 20592-2009 25-10/16/25/40RF	Φ115	Φ85	Φ65	4-Φ14	M12
	GB/T 9124.1-2019 DN25 PN10/16/25/40RF					
	DIN 2501 DN25 PN10/16/25/40RF					
2	HG/T 20592-2009 32-10/16/25/40RF	Φ140	Φ100	Φ78	4-Φ18	M16
	GB/T 9124.1-2019 DN32 PN10/16/25/40RF					
3	HG/T 20592-2009 40-10/16/25/40RF	Φ150	Φ110	Φ84	4-Φ18	M16
	DIN 2501 DN40 PN10/16/25/40RF					
4	HG/T 20592-2009 50-10/16/25/40RF	Φ165	Φ125	Φ99	4-Φ18	M16
	GB/T 9124.1-2019 DN50 PN10/16/25/40RF					
	DIN 2501 DN50 PN10/16/25/40RF					
5	HG/T 20592-2009 20-10/16/25/40RF	Φ105	Φ75	Φ56	4-Φ14	M12
	GB/T 9124.1-2019 DN20 PN10/16/25/40RF					
6	HG/T 20592-2009 15-10/16/25/40RF	Φ95	Φ65	Φ46	4-Φ14	M12
7	HG/T 20592-2009 25-63/100/160RF	Φ140	Φ100	Φ65	4-Φ18	M16
8	HG/T 20592-2009 25-250RF	Φ150	Φ105	Φ65	4-Φ22	M20
9	ANSI B 16.5 150LB1"RF	Φ110	Φ79.5	Φ51	4-Φ16	M14
	HG/T 20615-2009 25-20RF					
	GB/T 9124.2-2019 DN25-class150RF					
10	ANSI B 16.5 300/600LB1"RF	Φ125	Φ89	Φ51	4-Φ18	M16
	HG/T 20615-2009 25-50/110RF					
11	ANSI B 16.5 900/1500LB1"RF	Φ150	Φ101.5	Φ51	4-Φ26	M24
	HG/T 20615-2009 25-150/260RF					
12	ANSI B 16.5 150LB1.5"RF	Φ125	Φ98.5	Φ73	4-Φ16	M14
	HG/T 20615-2009 40-20RF					
13	ANSI B 16.5 300/600LB1.5"RF	Φ155	Φ114.5	Φ73	4-Φ22	M20
	HG/T 20615-2009 40-50/110RF					
14	ANSI B 16.5 150LB2"RF	Φ150	Φ120.5	Φ92	4-Φ18	M16
	HG/T 20615-2009 50-20RF					
15	ANSI B 16.5 300/600LB2"RF	Φ165	Φ127	Φ92	8-Φ18	M16
	GB/T 9124.2-2019 DN50-class300/600RF					
16	ANSI B 16.5 900/1500LB2"RF	Φ215	Φ165	Φ92	8-Φ26	M24
17	JIS 10/20K 25A	Φ125	Φ90	Φ67	4-Φ19	M16
18	JIS 10/20K 32A	Φ135	Φ100	Φ76	4-Φ19	M16
19	JIS 10/20K 40A	Φ140	Φ105	Φ81	4-Φ19	M16
20	JIS 10/20K 50A	Φ155	Φ120	Φ96	4/8-Φ19	M16

注: 本表仅列出 RF (突面) 密封型式, 也可供 FF (平面) 参照。当采用 M/FM (凹凸面)、TG (榫槽面) 及 RJ (环连接面) 等法兰密封面型式时, 请参见相关法兰标准, 或向本公司咨询。

Note: only lists RF, available FF references. When using M/FM, TG and RJ sealing faces, see the related standards, or consult with us.

## ML 螺纹隔离器 Standard thread diaphragm seals

<p style="text-align: center;"><b>MLB</b> 螺纹式 Standard thread type</p>	<p style="text-align: center;"><b>MLH</b> 焊接螺纹式 Welded design thread type</p>
<p>内置膜片及膜片座，螺纹或螺栓压紧 过程连接部位接触介质 工作温度: -40~150℃, 最高 200℃ Internal diaphragm and diaphragm bed, upper and lower housing connected by thread or bolts Process connection should be wetting by medium Working temperature: -40~150℃, Max. 200℃</p>	<p>内置膜片及膜片座，焊接一体 适应高密封性要求 过程连接部位接触介质 工作温度: -40~150℃, 最高 200℃ Internal diaphragm and diaphragm bed, Integral welded structure Adapt to high sealing requirements Process connection should be wetting by medium Working temperature: -40~150℃, Max. 200℃</p>
<p>膜片材质: 钽、哈氏 C、哈氏 B、钛、镍、蒙乃尔、316L、304L、316L 衬 PTFE、316L 镀金等 接液材质: 304/316L S.S. 304SS 衬 PTFE, 特殊材质订制 Diaphragm material: Tantalum, Hastelloy C, Hastelloy B, Titanium, Nickel, Monel, 316L, 304L, 316L coated PTFE, 316L gold plated, etc. Wetted material: 304/316L, 304S.S. coated PTFE, other material available</p>	<p>膜片材质: 钽、哈氏 C、哈氏 B、镍、蒙乃尔、316L、304L 等 接液材质: 304/316L S.S. 哈氏 C, 蒙乃尔等 Diaphragm material: Tantalum, Hastelloy C, Hastelloy B, Nickel, Monel, 316L, 304L, etc. Wetted material: 304/316L S.S. Hastelloy C, Monel, etc.</p>
<p>内部密封材质: PTFE 或氟橡胶 Within sealing gasket material: PTFE or Viton</p>	<p>不使用内部密封元件 Without internal sealing elements</p>
<p>量程 Span: 0.1MPa~60MPa, 多种膜片尺寸以适应不同量程 Multifold diaphragm dimension adapted for range</p>	<p>量程 Span: 0.1MPa~60MPa, 多种膜片尺寸以适应不同量程 Multifold diaphragm dimension adapted for range</p>
<p>其它事项参见 06.00 隔膜压力表 Other options refer to 06.00 Diaphragm seal pressure gauge</p>	<p>其它事项参见 06.00 隔膜压力表 Other options refer to 06.00 Diaphragm seal pressure gauge</p>
<p>仪表接口: M20 × 1.5 内 Instrument connection: female thread M20 × 1.5 可选带冲洗舱, 冲洗连接 2*1/2NPT(F)或 2*1/4NPT(F) Flushing cabin available, Flush connection 2*1/2NPT(F) or 2*1/4NPT(F)</p>	<p>仪表接口: M20 × 1.5 内 Instrument connection: female thread M20 × 1.5 可选带冲洗舱, 冲洗连接 2*1/2NPT(F)或 2*1/4NPT(F) Flushing cabin available, Flush connection 2*1/2NPT(F) or 2*1/4NPT(F)</p>
<p>过程接口: M20 × 1.5 外, 其它规格可选 接液部位衬 PTFE 时, 依靠端面密封, 不提供 R / NPT 等锥管螺纹 Process connection: M20 × 1.5(M), Other standard available</p>	<p>过程接口: M20 × 1.5 外, 其它规格可选 Process connection: M20 × 1.5(M), Other standard available</p>
<div style="display: flex; justify-content: space-around;"> <div style="text-align: center;"> <p>量程 Span: &lt;2.5MPa</p> </div> <div style="text-align: center;"> <p>量程 Span: 1.6~60MPa</p> </div> </div>	<div style="display: flex; justify-content: space-around;"> <div style="text-align: center;"> <p>适用于 40/50/60 型表</p> </div> <div style="text-align: center;"> <p>适用于 100/150 型表</p> </div> </div>



## MLP 塑料螺纹隔离器 Plastic thread diaphragm seals



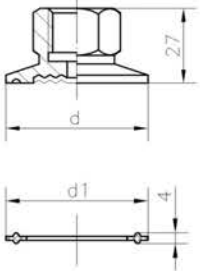
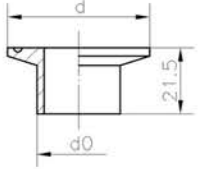
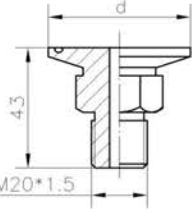
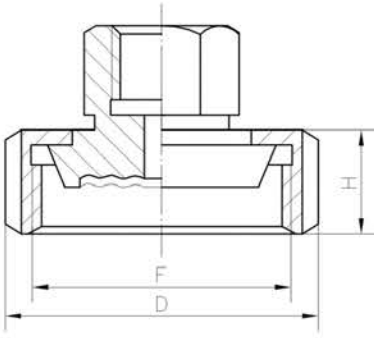
	
<p style="text-align: center;"><b>MLP</b> PVC 螺纹式 PVC Standard thread type</p>	<p style="text-align: center;"><b>YS-60MLP</b> 全塑隔膜压力表 Plastic diaphragm seal pressure gauge</p>
<p>内置膜片及膜片座, 螺栓压紧 过程连接部位接触介质 工作温度(包括介质温度及环境温度): -15~60℃ Internal diaphragm and diaphragm bed, upper and lower housing connected by bolts Process connection should be wetting by medium Working temperature: -15~60℃</p>	<p>外壳公称直径 Φ65 过程连接部位接触介质 适用于对 PP 及氟橡胶无腐蚀作用的介质 工作温度(包括介质温度及环境温度): -25~60℃, 不建议户外安装 Case nominal diameter: Φ65 Process connection should be wetting by medium Suitable for non-corrosive media of PP and fluorine rubber Working temperature: -25~60℃. Not recommended for outdoor installation</p>
<p>膜片材质: 钽、哈氏 C、哈氏 B、钛、镍、蒙乃尔、316L、304L、316L 衬 PTFE、316L 镀金等 接液材质: PVC (适用于盐酸、90%以下的硫酸、50~60%的硝酸及 20% 以下烧碱、盐类等) Diaphragm material: Tantalum, Hastelloy C, Hastelloy B, Titanium, Nickel, Monel, 316L, 304L, Coated PTFE, 316L gold plated, etc. Wetted material: PVC</p>	<p>壳体及过程接头 Case and process connection: PP 隔膜 diaphragm: 氟橡胶 fluorine rubber FKM PC 安全玻璃 Safety glass 弹簧管 Bourdon tube: 316L S.S. 测量系统采用氩弧焊 Measuring system: argon arc welding 机芯 Movement: 304SS 带红绿色可调指示针 With red-green adjustable pointer 安全泄压装置: 向上 Safety blow out: top</p>
<p>内部密封材质: PTFE Within sealing gasket material: PTFE</p>	<p>正常工作环境振动条件 Shake-resistant grade: YS-60MLP: GB/T 17214.3 V.H.3 YSN-60MLP: GB/T 17214.3 V.H.4 (耐震型 liquid filled)</p>
<p>量程 Span: 0.1MPa~1MPa</p>	<p>量程 Span: 0.1MPa~1.6MPa 精确度 Accuracy: ±2.5%F.S.</p>
<p>其它事项参见 06.00 隔膜压力表 Other options refer to 06.00 Diaphragm seal pressure gauge</p>	<p>其它事项参见 06.00 隔膜压力表 Other options refer to 06.00 Diaphragm seal pressure gauge</p>
<p>仪表接口: M20 × 1.5 内 Instrument connection: female thread M20 × 1.5</p>	<p>双面型 YS(N)-60MLPS 带背面反向指示 Double-sided YS (N) -60MLPS with reverse indication on the back</p>
<p>过程接口: M20 × 1.5 外, 其它规格可选 Process connection: M20 × 1.5(M), Other standard available</p>	<p>连接规格: 1/2PT 内, 不响应特殊规格 Connection: 1/2PT(F), does not respond to special specifications 执行标准 Executive standard: JB/T 8624-1997</p>
	

## MT 探入式隔离器 Extended diaphragm seals

	
<p style="text-align: center;"><b>MT</b> 探入式法兰 Extended flange</p>	<p style="text-align: center;"><b>MT2</b> 探入式螺纹 Extended thread</p>
<p>平膜片, 外焊于探入体上, 探入体接触介质                  工作温度 -40~150℃, 最高 200℃                  配合法兰密封垫安装                  Flush diaphragm, welded and covered the extending extremity                  Extending components should be wetting by medium                  Working temperature: -40~150℃, Max. 200℃                  Installing should with flange sealing gasket</p>	<p>平膜片, 外焊于探入体端面上, 探入体接触介质                  工作温度 -40~150℃, 最高 200℃                  螺纹或螺纹上端面密封安装                  Flush diaphragm, welded and covered the extending extremity                  Extending components should be wetting by medium                  Working temperature: -40~150℃, Max. 200℃                  Installing should with special gasket</p>
<p>膜片材质: 钽、哈氏 C、哈氏 B、镍、蒙乃尔、316L、304L 等                  法兰材质: 304/316L S.S. 特殊材质订制                  Diaphragm material: Tantalum, Hastelloy C, Hastelloy B, Nickel, Monel, 316L, 304L, etc.                  Flange material: 304/316L S.S. other material available</p>	<p>膜片材质: 钽、哈氏 C、哈氏 B、镍、蒙乃尔、316L、304L 等                  探入体材质: 304/316L S.S. 特殊材质订制                  Diaphragm material: Tantalum, Hastelloy C, Hastelloy B, Nickel, Monel, 316L, 304L, etc.                  Extending material: 304/316L S.S. other material available</p>
<p>探入体直径 Extended diameter: <math>\Phi 38/48/61/72</math>                  探入深度 Diaphragm extension: 50~200</p>	<p>探入体直径 Extended diameter: <math>\Phi 38/42/48/56</math>                  探入深度 Diaphragm extension: 50~200</p>
<p>量程 Span: 0.1MPa~16MPa, 最小量程取决于膜片尺寸                  Minimum range is depending on diaphragm diameter</p>	<p>量程 Span: 0.1MPa~16MPa, 最小量程取决于膜片尺寸                  Minimum range is depending on diaphragm diameter</p>
<p>其它事项参见 06.00 隔膜压力表                  Other options refer to 06.00 Diaphragm seal pressure gauge</p>	<p>其它事项参见 06.00 隔膜压力表                  Other options refer to 06.00 Diaphragm seal pressure gauge</p>
<p>仪表接口: 内螺纹 M20 × 1.5                  Instrument connection: female thread M20 × 1.5</p>	<p>仪表接口: 内螺纹 M20 × 1.5                  Instrument connection: female thread M20 × 1.5</p>
<p>法兰执行标准 Flange standard:                  HG/T 20592-2009, HG/T 20615-2009                  GB/T9124.1-2019, GB/T9124.2-2019                  ANSI B 16.5                  DIN 2501                  JIS B 2220-2004                  参见 06.01 法兰规格 Refer to: 06.01 Flange standard</p> <p>法兰通径 DN40/50/80 (1.5"/2"/3")                  法兰压力等级 PN6/10/16/25/40/63/100/160bar                  Class 150/300/600/900/1500                  法兰密封面 Sealing face: RF, M, FM, RJ</p>	<p>螺纹规格 Thread specification:                  M42 × 2, G1-1/4, ZG1-1/4, 1-1/4NPT, 探入直径 diameter: <math>\Phi 38</math>                  M45 × 2, G1-1/2, ZG1-1/2, 1-1/2NPT, 探入直径 diameter: <math>\Phi 42</math>                  M52 × 2, G1-3/4, ZG1-3/4, 1-3/4NPT, 探入直径 diameter: <math>\Phi 48</math>                  M60 × 2, G2, ZG2, 2NPT, 探入直径 diameter: <math>\Phi 56</math>                  其它规格定制 Other specification available</p>
 <p style="text-align: center;"><math>\Phi 38/48/61/72</math> DN40/50/65/80</p>	 <p style="text-align: center;"><math>\Phi 38/42/48/56</math></p>



## MC、MN 卫生型隔离器 Sanitary type diaphragm seals

							
MC 夹子式 Clamp connection				MN 螺母式 Nut connection			
平膜片, 外焊于卡箍盘上 卫生型, 现场快速清洁 工作温度: -40~150℃, 最高 200℃ Flush diaphragm, welded and covered the ferrule Sanitary type, local quick cleaning Working temperature: -40~150℃, Max. 200℃				平膜片, 外焊于光接头上 卫生型, 现场快速清洁 工作温度: -40~150℃, 最高 200℃ Flush diaphragm, welded and covered the liner Sanitary type, local quick cleaning Working temperature: -40~150℃, Max. 200℃			
膜片材质: 钽、哈氏 C、哈氏 B、镍、蒙乃尔、316L、304L 等 本体材质: 304/316L.S.S. 特殊材质订制 Diaphragm material: Tantalum, Hastelloy C, Hastelloy B, Nickel, Monel, 316L, 304L, etc. Body material: 304/316L S.S. other material available				膜片材质: 钽、哈氏 C、哈氏 B、镍、蒙乃尔、316L、304L 等 本体材质: 304/316L.S.S. 特殊材质订制 Diaphragm material: Tantalum, Hastelloy C, Hastelloy B, Nickel, Monel, 316L, 304L, etc. Body material: 304/316L S.S. other material available			
量程 Span: 0.1MPa~2.5MPa, 最小量程取决于膜片尺寸 Minimum range is depending on diaphragm diameter				量程 Span: 0.1MPa~4MPa, 最小量程取决于膜片尺寸大小 Minimum range is depending on diaphragm diameter			
其它事项参见 06.00 隔膜压力表 Other options refer to 06.00 Diaphragm seal pressure gauge				其它事项参见 06.00 隔膜压力表 Other options refer to 06.00 Diaphragm seal pressure gauge			
仪表接口: 内螺纹 M20×1.5 Instrument connection: female thread M20×1.5				仪表接口: 内螺纹 M20×1.5 Instrument connection: female thread M20×1.5			
工艺连接: 卡箍 DIN 32676 DN25/32/40/50 可选配下卡箍盘、夹子、密封垫 Process connection: Clamp DIN 32676 DN25/32/40/50 Lower ferrule, clamp ring, seal washer, available				工艺连接: 内螺 DIN 11851 DN25/32/40/50 可选配下光接头、密封垫 Process connection: Nut DIN 11851 DN25/32/40/50 Lower liner, seal washer, available			
卡箍盘(膜片座) Ferrule(diaphragm bed)				下座(焊接式) Lower ferrule(welding)		下座(螺纹式) Lower ferrule (thread)	
							
密封垫 Seal washer							
DN	d	d1	d0	DN	D	F	H
DIN32676 DN25	Φ50.5	Φ51	Φ29	25	Φ63	Rd52×1/6	21
DIN32676 DN32			Φ35				
DIN32676 DN40			Φ41				
DIN32676 DN50	Φ64	Φ65	Φ53	32	Φ70	Rd58×1/6	
ASME BPE 1"	Φ50.5	Φ51	Φ25.4	40	Φ78	Rd65×1/6	
ASME BPE 1.5"			Φ38.1				
ASME BPE 2"	Φ64	Φ65	Φ50.8	50	Φ92	Rd78×1/6	
ASME BPE 2.5"	Φ77.5	Φ78.5	Φ63.5				

## MD 管道式隔离器 Sandwich type diaphragm in-line seals



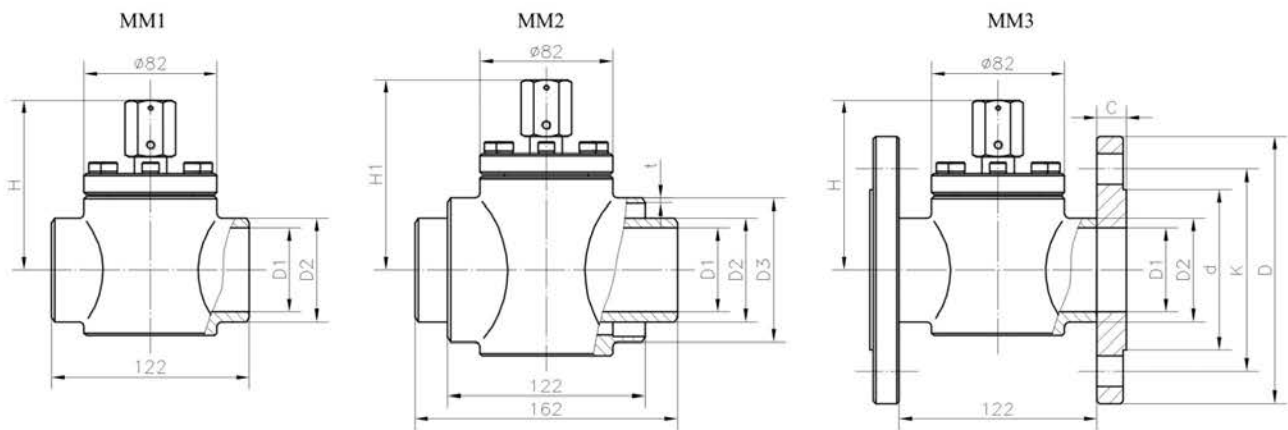
MD 管道式	MD Sandwich type																																																																		
在线式圆筒形隔膜 适用于法兰连接，直接安装在管道上 过程连接部位接触介质 工作温度：-40~150℃，最高 200℃	Sandwich type diaphragm in-line seals. To fit standard flange connections, for direct installation in pipelines. Process connection should be wetting by medium Working temperature: -40~150℃, Max 200℃																																																																		
适用于流动的、纯净的腐蚀性介质 应用于化工、石化等行业	For flowing, pure and aggressive media. Use for chemical process industry, petrochemical industry, etc.																																																																		
膜片材质：316L，本体材质：316S.S. 可选喷涂 PTFE 工作介质：硅油	Diaphragm material: 316L, body material: 316S.S. Sprayed PTFE available Working liquid: Silicone oil																																																																		
量程：0.1MPa~40MPa，最小量程取决于膜片尺寸（口径）	Span: 0.1MPa~40MPa, minimum range is depending on diaphragm diameter																																																																		
其它事项参见 06.00 隔膜压力表	Other options refer to 06.00 Diaphragm seal pressure gauge																																																																		
仪表接口：内螺纹 M20×1.5	Instrument connection: female thread M20×1.5																																																																		
工艺接口：配合法兰安装（可选两侧带法兰） 法兰执行标准： HG/T 20592-2009, HG/T 20615-2009 GB/T9124.1-2019, GB/T9124.2-2019 ANSI B 16.5 DIN 2501 JIS B 2220-2004 等	Process connection: Flange Flange standard: HG/T 20592-2009, HG/T 20615-2009 GB/T9124.1-2019, GB/T9124.2-2019 ANSI B 16.5 DIN 2501 JIS B 2220-2004 etc.																																																																		
	<table border="1"> <thead> <tr> <th>序号 No.</th> <th>DN</th> <th>d</th> <th>DM</th> <th>L</th> </tr> </thead> <tbody> <tr> <td>1</td> <td>DN15 (1/2")</td> <td>Φ42</td> <td>Φ18</td> <td>60(&gt;2.5MPa) 100(≤1.6MPa)</td> </tr> <tr> <td>2</td> <td>DN20 (3/4")</td> <td>Φ54</td> <td>Φ22</td> <td>60(&gt;1.6MPa) 100(≤1MPa)</td> </tr> <tr> <td>3</td> <td>DN25 (1")</td> <td>Φ63</td> <td>Φ28</td> <td>60(&gt;1MPa)</td> </tr> <tr> <td>4</td> <td>DN32 (1.25")</td> <td>Φ75</td> <td>Φ34</td> <td>100(≤0.6MPa)</td> </tr> <tr> <td>5</td> <td>DN40 (1-1/2")</td> <td>Φ83</td> <td>Φ42</td> <td rowspan="10">60</td> </tr> <tr> <td>6</td> <td>DN50 (2")</td> <td>Φ95</td> <td>Φ54</td> </tr> <tr> <td>7</td> <td>DN65 (2-1/2")</td> <td>Φ112</td> <td>Φ68</td> </tr> <tr> <td>8</td> <td>DN80 (3")</td> <td>Φ130</td> <td>Φ82</td> </tr> <tr> <td>9</td> <td>DN100 (4")</td> <td>Φ150</td> <td>Φ106</td> </tr> <tr> <td>10</td> <td>DN125 (5")</td> <td>Φ186</td> <td>Φ132</td> </tr> <tr> <td>11</td> <td>DN150 (6")</td> <td>Φ216</td> <td>Φ159</td> </tr> <tr> <td>12</td> <td>DN200 (8")</td> <td>Φ261</td> <td>Φ207</td> </tr> <tr> <td>13</td> <td>DN250 (10")</td> <td>Φ315</td> <td>Φ256</td> </tr> <tr> <td>14</td> <td>DN300 (12")</td> <td>Φ372</td> <td>Φ300</td> </tr> </tbody> </table>	序号 No.	DN	d	DM	L	1	DN15 (1/2")	Φ42	Φ18	60(>2.5MPa) 100(≤1.6MPa)	2	DN20 (3/4")	Φ54	Φ22	60(>1.6MPa) 100(≤1MPa)	3	DN25 (1")	Φ63	Φ28	60(>1MPa)	4	DN32 (1.25")	Φ75	Φ34	100(≤0.6MPa)	5	DN40 (1-1/2")	Φ83	Φ42	60	6	DN50 (2")	Φ95	Φ54	7	DN65 (2-1/2")	Φ112	Φ68	8	DN80 (3")	Φ130	Φ82	9	DN100 (4")	Φ150	Φ106	10	DN125 (5")	Φ186	Φ132	11	DN150 (6")	Φ216	Φ159	12	DN200 (8")	Φ261	Φ207	13	DN250 (10")	Φ315	Φ256	14	DN300 (12")	Φ372	Φ300
序号 No.	DN	d	DM	L																																																															
1	DN15 (1/2")	Φ42	Φ18	60(>2.5MPa) 100(≤1.6MPa)																																																															
2	DN20 (3/4")	Φ54	Φ22	60(>1.6MPa) 100(≤1MPa)																																																															
3	DN25 (1")	Φ63	Φ28	60(>1MPa)																																																															
4	DN32 (1.25")	Φ75	Φ34	100(≤0.6MPa)																																																															
5	DN40 (1-1/2")	Φ83	Φ42	60																																																															
6	DN50 (2")	Φ95	Φ54																																																																
7	DN65 (2-1/2")	Φ112	Φ68																																																																
8	DN80 (3")	Φ130	Φ82																																																																
9	DN100 (4")	Φ150	Φ106																																																																
10	DN125 (5")	Φ186	Φ132																																																																
11	DN150 (6")	Φ216	Φ159																																																																
12	DN200 (8")	Φ261	Φ207																																																																
13	DN250 (10")	Φ315	Φ256																																																																
14	DN300 (12")	Φ372	Φ300																																																																



## MM 马鞍式隔离器 Saddle type diaphragm in-line seals



MM 在线式马鞍形隔膜密封	MM Saddle type diaphragm in-line seals
焊接或法兰连接，直接安装在管道上 过程连接部位接触介质 工作温度：-40~150℃，最高 200℃	Welding or standard flange connections, for direct installation in pipelines Process connection should be wetting by medium Working temperature: -40~150℃, Max. 200℃
适用于流动的、纯净的腐蚀性介质 应用于化工、石化、医药等行业	For flowing, pure and aggressive media. Use for chemical process industry, petrochemical industry, medicine, etc.
膜片材质：钽、哈氏 C、哈氏 B、钛、镍、蒙乃尔、316L、304L、316L 衬 PTFE、316L 镀金等 本体材质：304/316L S.S.特殊材质订制	Diaphragm material: Tantalum, Hastelloy C, Hastelloy B, Titanium, Nickel, Monel, 316L, 304L, 316L coated PTFE, 316L gold plated, etc. Body material: 304/316L, other material available
量程：0.1MPa~25MPa	Span: 0.1MPa~25MPa
其它事项参见 06.00 隔膜压力表	Other options refer to 06.00 Diaphragm seal pressure gauge
仪表接口：内螺纹 M20×1.5	Instrument connection: female thread M20×1.5
工艺接口：焊接型 MM1 焊接型带伴热 MM2 法兰连接 MM3，法兰标准及规格参见 06.01 MF	Process connection: welding type MM1 Hold temperature welding type MM2 Flange connection MM3, flange standard refer to 06.01 MF

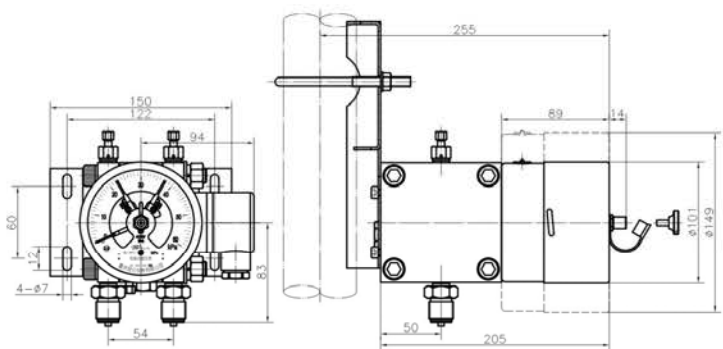


不同通径的结构形状间存在差别，示意图仅供参考

There are differences between the structural shapes of the different diameters, this drawing is for reference only

DN	D1	D2	D3	t	H	H1	D, K, d, C
DN15 (1/2")	Φ16	Φ28	Φ42.4	2.6	81	89	参见 06.01 MF 法兰规格表 Refer to 06.01 MF flange standard
DN25 (1")	Φ26	Φ38	Φ60.3	2.6	86	98	
DN40 (1-1/2")	Φ42	Φ54	Φ88.9	3.2	95	112	
DN50 (2")	Φ52	Φ64	Φ88.9	3.2	100	112	
DN80 (3")	Φ82	Φ96	Φ114.3	4.0	115	125	
DN100 (4")	Φ102	Φ118	Φ168.3	4.5	126	152	

## CYP 双膜片差压表 Double diaphragms differential pressure gauge

	
双膜片差压表	Double diaphragms differential pressure gauge
CYP-100H/150H, CYPN-100H/150H 外径: Φ100/150	CYP-100H/150H, CYPN-100H/150H Diameter: Φ100/150
适用于测量无爆炸、结晶、凝固倾向, 对奥氏体不锈钢无腐蚀作用的液体、气体等两个流体介质间的差压	Suitable for measuring the difference value between two pressure of the liquid, gas medium, which does not explosion, crystal, solid, and does not corrosion to the Cr-Ni stainless steel
外壳: 304S.S. 可选 316L, 型号后缀“(316L)” 测量元件(膜片): 低压 316L S.S. 高压 316Ti 接头及接液部位: 304S.S. 可选 316L, 型号后缀“+316L”	Case: 304S.S. 316L available, Model suffix“(316L)” Element (diaphragm): Low pressure 316L S.S. High pressure 316Ti Socket and wetted part: 304S.S. 316L available, Model suffix“+316L”
密封型壳体结构 外壳防护等级 GB/T 4208 IP66 级 钢化安全玻璃 传动机构: 304S.S. 密封件材质: 丁腈橡胶 铝度盘, 白底黑字; 黑色指针, 可调零 带安装后背板(不带安装支架时)	Airtight type case protection proof: GB/T 4208 idt IEC 60529 IP66 Safety reinforced glass Movement: 304S.S. Seals: BUNA Dial: aluminum, white, black lettering Black pointer, zero adjustable. Mounting with back flange
精确度: ±2.5, 1.6% F.S. 测量范围: 0~10/16/25/40/60kPa, 0~0.1/0.16/0.25/0.4/0.6/1/1.6/2.5 MPa 双向最大静压(见度盘标示): 4/10MPa 可选, 最高 40MPa	Accuracy: ±2.5, 1.6% F.S. Range: 0~10/16/25/40/60kPa, 0~0.1/0.16/0.25/0.4/0.6/1/1.6/2.5 MPa Static pressure: <4/10MPa available, max.40MPa
正常工作环境温度: -30~70℃ 正常工作环境振动条件: GB/T 17214.3 V.H.3 级 充油耐震型: GB/T 17214.3 V.H.4 级	Ambient and medium temperature: -30~70℃ Shake-resistant grade: GB/T 17214.3 V.H.3 degree Liquid filled (shake-resistant): GB/T 17214.3 V.H.4 degree
连接规格: 2-M20 × 1.5 M, 其它规格可选 仪表应配三阀组或五阀组使用	Connection: 2-M20 × 1.5 M, Other connection available The gauge should be used with 3-way manifold or 5-way manifold
可选项: CYPN 型表头充液 带毛细管隔膜化学密封, 适用于粘稠或强腐蚀介质(≥40kPa) 固定安装支架(垂直或水平 2”管)	Options: Liquid filled, CYPN type Diaphragm seal, capillary, thread or flange connection, Suitable for viscous or corrosion medium(≥40kPa). Steady rest mounting(2” pipe)
可选带电接点开关信号输出, 型号: CYPXC, CYPXZ, CYPXG 接点规格参见 05.02 YX, 05.04 YXG	With electric contact available, Model: CYPXC, CYPXZ, CYPXG Contact specifications refer to 05.02 YX, 05.04 YXG
执行标准: JB/T 12015-2014	Executive standard: JB/T 12015-2014
 <p>CYP(N)-100H/150H</p>	 <p>CYPX(N)-100H/150H</p>



## CYM 立式差压表 Diaphragm differential pressure gauge

																																																	
立式单膜片差压表	Single diaphragm differential pressure gauge (vertical type)																																																
CYM-100H/150H, CYMN-100H/150H 外径: $\Phi 100/150$	CYM-100H/150H, CYMN-100H/150H Diameter: $\Phi 100/150$																																																
适用于测量无爆炸、结晶、凝固倾向, 对奥氏体不锈钢无腐蚀作用的液体、气体等两个流体介质间的差压	Suitable for measuring the difference value between two pressure of the liquid, gas medium, which does not explosion, crystal, solid, and does not corrosion to the Cr-Ni stainless steel																																																
金属焊接测量腔 外壳/传动机构: 304/316L S.S. 测量元件 (德国原产膜片) : 1.4571(316Ti) 接头及接液部位: 316L S.S. 铝度盘, 白底黑字 黑色指针, 可调零 安全玻璃 (钢化或层压) 内部限止装置	Welded metal measuring chamber Case/movement: 304/316L S.S. Element (diaphragm): 1.4571(316Ti) Socket and wetted part: 316L S.S. Dial : aluminum, white, black lettering Black pointer, zero adjustable Safety glass Internal limit stop device																																																
全密封壳体结构, 外壳防护等级 GB/T 4208 IP66 级	Airtight type case, protection proof: GB/T 4208 idt IEC 60529 IP66																																																
规格及选项:	Specification and options:																																																
<table border="1"> <tr> <td>量程</td> <td>1.6~25 kPa</td> <td>40kPa~0.25 MPa</td> </tr> <tr> <td>准确度</td> <td><math>\pm 2.5\%</math> F.S.</td> <td><math>\pm 2.5, 1.6\%</math> F.S.</td> </tr> <tr> <td>膜片尺寸</td> <td><math>\Phi 130</math></td> <td><math>\Phi 75</math></td> </tr> <tr> <td>双向最大静压</td> <td><math>&lt;0.25</math>MPa</td> <td><math>&lt;4</math>MPa</td> </tr> <tr> <td>静压对示值的影响</td> <td><math>\pm 0.3\%</math>F.S./0.1MPa</td> <td><math>\pm 0.04\%</math>F.S./0.1MPa</td> </tr> <tr> <td>充油耐震</td> <td colspan="2">CYMN(<math>\geq 10</math>kPa)</td> </tr> <tr> <td>带电接点</td> <td colspan="2">CYMX(4kPa~0.25MPa), 参见 05.03</td> </tr> <tr> <td>带毛细管隔膜化学密封, 适用于粘稠或强腐蚀介质</td> <td><math>\geq 6</math>kPa 可选</td> <td>可选</td> </tr> </table>	量程	1.6~25 kPa	40kPa~0.25 MPa	准确度	$\pm 2.5\%$ F.S.	$\pm 2.5, 1.6\%$ F.S.	膜片尺寸	$\Phi 130$	$\Phi 75$	双向最大静压	$<0.25$ MPa	$<4$ MPa	静压对示值的影响	$\pm 0.3\%$ F.S./0.1MPa	$\pm 0.04\%$ F.S./0.1MPa	充油耐震	CYMN( $\geq 10$ kPa)		带电接点	CYMX(4kPa~0.25MPa), 参见 05.03		带毛细管隔膜化学密封, 适用于粘稠或强腐蚀介质	$\geq 6$ kPa 可选	可选	<table border="1"> <tr> <td>Span</td> <td>1.6~25 kPa</td> <td>40kPa~0.25 MPa</td> </tr> <tr> <td>Accuracy</td> <td><math>\pm 2.5\%</math> F.S.</td> <td><math>\pm 2.5, 1.6\%</math> F.S.</td> </tr> <tr> <td>Diaphragm diameter</td> <td><math>\Phi 130</math></td> <td><math>\Phi 75</math></td> </tr> <tr> <td>Static pressure</td> <td><math>&lt;0.25</math>MPa</td> <td><math>&lt;4</math>MPa</td> </tr> <tr> <td>Impact of static pressure</td> <td><math>\pm 0.3\%</math>F.S./0.1MPa</td> <td><math>\pm 0.04\%</math>F.S./0.1MPa</td> </tr> <tr> <td>Liquid filled</td> <td colspan="2">CYMN(<math>\geq 10</math>kPa)</td> </tr> <tr> <td>Electric contact</td> <td colspan="2">CYMX(4kPa~0.25MPa), refer to 05.03</td> </tr> <tr> <td>Diaphragm seal, capillary</td> <td><math>\geq 6</math>kPa available</td> <td>Available</td> </tr> </table>	Span	1.6~25 kPa	40kPa~0.25 MPa	Accuracy	$\pm 2.5\%$ F.S.	$\pm 2.5, 1.6\%$ F.S.	Diaphragm diameter	$\Phi 130$	$\Phi 75$	Static pressure	$<0.25$ MPa	$<4$ MPa	Impact of static pressure	$\pm 0.3\%$ F.S./0.1MPa	$\pm 0.04\%$ F.S./0.1MPa	Liquid filled	CYMN( $\geq 10$ kPa)		Electric contact	CYMX(4kPa~0.25MPa), refer to 05.03		Diaphragm seal, capillary	$\geq 6$ kPa available	Available
量程	1.6~25 kPa	40kPa~0.25 MPa																																															
准确度	$\pm 2.5\%$ F.S.	$\pm 2.5, 1.6\%$ F.S.																																															
膜片尺寸	$\Phi 130$	$\Phi 75$																																															
双向最大静压	$<0.25$ MPa	$<4$ MPa																																															
静压对示值的影响	$\pm 0.3\%$ F.S./0.1MPa	$\pm 0.04\%$ F.S./0.1MPa																																															
充油耐震	CYMN( $\geq 10$ kPa)																																																
带电接点	CYMX(4kPa~0.25MPa), 参见 05.03																																																
带毛细管隔膜化学密封, 适用于粘稠或强腐蚀介质	$\geq 6$ kPa 可选	可选																																															
Span	1.6~25 kPa	40kPa~0.25 MPa																																															
Accuracy	$\pm 2.5\%$ F.S.	$\pm 2.5, 1.6\%$ F.S.																																															
Diaphragm diameter	$\Phi 130$	$\Phi 75$																																															
Static pressure	$<0.25$ MPa	$<4$ MPa																																															
Impact of static pressure	$\pm 0.3\%$ F.S./0.1MPa	$\pm 0.04\%$ F.S./0.1MPa																																															
Liquid filled	CYMN( $\geq 10$ kPa)																																																
Electric contact	CYMX(4kPa~0.25MPa), refer to 05.03																																																
Diaphragm seal, capillary	$\geq 6$ kPa available	Available																																															
正常工作环境温度: $-40\sim 70^{\circ}\text{C}$ 介质温度: $<100^{\circ}\text{C}$ 温度影响: 当使用环境温度偏离 $20\pm 5^{\circ}\text{C}$ 时, 仪表的示值误差影响量不大于 $0.05\%$ F.S./ $^{\circ}\text{C}$ 正常工作环境振动条件: CYM-100H/150H, GB/T 17214.3 V.H.3 级 CYMN-100H/150H (仅量程 $\geq 10$ kPa) : GB/T 17214.3 V.H.4 级	Ambient and medium temperature: $-40\sim 70^{\circ}\text{C}$ Medium temperature: $<100^{\circ}\text{C}$ Temperature impact: temperature additive errors should not above $0.05\%$ F.S./ $^{\circ}\text{C}$ , when the temperature deviates from $20\pm 5^{\circ}\text{C}$ . Shake-resistant grade: CYM-100H/150H, GB/T 17214.3 V.H.3 degree CYMN-100H/150H (span $\geq 10$ kPa only): GB/T 17214.3 V.H.4 degree																																																
连接规格: 2-G1/4 F, 其它规格可选 仪表应配三阀组或五阀组使用 带固定安装支架 (垂直或水平 2"管)	Connection: 2-G1/4 F, other connection available The gauge should be used with 3-way manifold or 5-way manifold Steady rest mounting (2" pipe, vertical or horizontal)																																																
执行标准: JB/T 12015-2014	Executive standard: JB/T 12015-2014																																																
																																																	
CYM, 1.6~25 kPa	CYM, 40kPa~0.25 MPa	CYMX, 4kPa~0.25 MPa																																															

## CYD 单膜片差压表 Single diaphragm differential pressure gauge

	
单膜片差压表	Single diaphragm differential pressure gauge
CYD-100H/150H, CYDN-100H/150H 外径: $\Phi 100/150$	CYD-100H/150H, CYDN-100H/150H Diameter: $\Phi 100/150$
适用于测量无爆炸、结晶、凝固倾向, 对奥氏体不锈钢无腐蚀作用的液体、气体等两个流体介质间的差压	Suitable for measuring the difference value between two pressure of the liquid, gas medium, which does not explosion, crystal, solid, and does not corrosion to the Cr-Ni stainless steel
外壳/传动机构: 304S.S. 测量元件(膜片): 316L S.S. 接头及接液部位: 304/316L S.S. 密封件材质: 丁腈橡胶 铝度盘, 白底黑字 黑色指针, 可调零 带安装后背板(后边)	Case/movement: 304S.S. Element (diaphragm): 316L S.S. Socket and wetted part: 304/316L S.S. Seals: BUNA Dial: aluminum, white, black lettering Black pointer, zero adjustable Mounting with back flange
密封型壳体结构 外壳防护等级 GB/T 4208 IP66	Airtight type case Protection proof: GB/T 4208 idt IEC 60529 IP66
精确度: $\pm 2.5, 1.6\%$ F.S. 测量范围: 0~10/16/25/40/60 kPa, 0~0.1/0.16/0.25/0.4/0.6/1/1.6/2.5 MPa CYD-150H 型可提供 0~0.6/1/1.6/2.5/4/6 kPa 双向最大静压(见度盘标示): 不超过 4MPa	Accuracy: $\pm 2.5, 1.6\%$ F.S. Measuring range: 0~10/16/25/40/60 kPa, 0~0.1/0.16/0.25/0.4/0.6/1/1.6/2.5 MPa CYD-150H able to provide 0~0.6/1/1.6/2.5/4/6 kPa Static pressure: $< 4\text{MPa}$
正常工作环境温度: $-40\sim 70^{\circ}\text{C}$ 正常工作环境振动条件: GB/T 17214.3 V.H.3 级 充油耐震型: GB/T 17214.3 V.H.4 级	Ambient and medium temperature: $-40\sim 70^{\circ}\text{C}$ Shake-resistant grade: GB/T 17214.3 V.H.3 degree Liquid filled (shake-resistant): GB/T 17214.3 V.H.4 degree
连接规格: 2-M20 $\times$ 1.5 M, 其它规格可选 仪表应配三阀组或五阀组使用	Connection: 2-M20 $\times$ 1.5 M, Other connection available The gauge should be used with 3-way manifold or 5-way manifold
安装方式: (无代号)- 径向墙装式(后边) TQ - 径向盘装式 ZT - 轴向盘装式	Mounting type: (Non code) - Bottom mounting with back flange TQ - Bottom panel with front flange ZT - Back panel with front flange
可选项: CYDN 型表头充液 ( $\geq 10\text{kPa}$ ) 带毛细管隔膜化学密封, 适用于粘稠或强腐蚀介质 ( $\geq 40\text{kPa}$ ) 固定安装支架(垂直或水平 2"管)	Options: Liquid filled, CYDN type ( $\geq 10\text{kPa}$ ) Diaphragm seal, capillary, thread or flange connection, Suitable for viscous or corrosion medium ( $\geq 40\text{kPa}$ ). Steady rest mounting (2" pipe)
执行标准: JB/T 12015-2014	Executive standard: JB/T 12015-2014
 <p>CYD-100H/150H</p>	 <p>CYD-100ZTH/150ZTH</p>



## CY 双波纹管差压表 Double bellows differential pressure gauge

	
双波纹管差压表	Double bellows differential pressure gauge
CY-100H/150H, CYN-100H/150H 外径: Φ100/150	CY-100H/150H, CYN-100H/150H Diameter: Φ100/150
适用于测量无爆炸、结晶、凝固倾向, 对奥氏体不锈钢无腐蚀作用的液体、气体等两个流体介质间的差压	Suitable for measuring the difference value between two pressure of the liquid, gas medium, which does not explosion, crystal, solid, and does not corrosion to the Cr-Ni stainless steel
外壳/传动机构: 304S.S. 测量元件(波纹管): 316L S.S. 接头: 304/316L S.S. 测量系统采用氩弧焊 铝度盘, 白底黑字 黑色指针 带安装后背板(后边)	Case/movement: 304S.S. Element (bellow): 316L S.S. Socket: 304/316L S.S. Measuring system: argon arc welding Dial: aluminum, white, black lettering Black pointer Mounting with back flange
全密封壳体结构 外壳防护等级 GB/T 4208IP66 级	Airtight type case Protection Proof: GB/T 4208 idt IEC60529 IP66
精确度: ±2.5% F.S. 测量范围: 0~16/25/40/60kPa, 0~0.1/0.16/0.25/0.4/0.6/1/1.6/2.5MPa 双向最大静压: 6-10 倍测量范围(见度盘标示), 不超过 6MPa	Accuracy: ±2.5% F.S. Measuring range: 0~16/25/40/60kPa, 0~0.1/0.16/0.25/0.4/0.6/1/1.6/2.5MPa Static pressure: 6-10 multiples of range, <6MPa
连接规格: 2-M20×1.5M, 其它规格可选 仪表应配三阀组或五阀组使用	Connection: 2-M20×1.5M, Other connection available The gauge should be used with 3-way manifold or 5-way manifold
安装方式: (无代号) - 径向墙装式(后边) ZT - 轴向盘装式 CY-150H8 - 八字形接头	Mounting type: (Non code) - Bottom mounting with back flange ZT - Back panel with front flange CY-150H8 - Inclined socket
正常工作环境温度: -40~70℃ 正常工作环境振动条件: GB/T 17214.3 V.H.3 级 充油耐震型: GB/T 17214.3 V.H.4 级	Ambient and medium temperature: -40~70℃ Shake-resistant grade: GB/T 17214.3 V.H.3 degree Liquid filled(shake-resistant): GB/T 17214.3 V.H.4 degree
可选项: CYN 型表头充液 带毛细管隔膜化学密封, 适用于粘稠或强腐蚀介质(≥40kPa) 固定安装支架(垂直或水平 2"管)	Options: Liquid filled, CYN type Diaphragm seal, capillary, thread or flange connection, Suitable for viscous or corrosion medium(≥40kPa) Steady rest mounting(2" pipe)
执行标准: JB/T 12015-2014	Executive standard: JB/T 12015-2014
	
CY-100H/150H	CY-150H8

## CYE/CYW 不锈钢微差压表 Micro-differential pressure gauge

	
膜盒式微差压表 Capsule type micro-differential pressure gauge	膜片式微差压表 Diaphragm type micro-differential pressure gauge
CYE-114H/160H 外径 Diameter: $\Phi 114/160$	CYW-150H 外径 Diameter: $\Phi 150$
适用于测量测量无爆炸、结晶、凝固倾向，对奥氏体不锈钢无腐蚀作用的无色、干燥、无悬浮、无油脂气体介质间的微差压 Suitable for measuring the micro-difference value between two pressure of the colorless, dry, clean, oil and grease free gas medium, which does not corrosion to the Cr-Ni stainless steel	适用于测量无爆炸、结晶、凝固倾向，对奥氏体不锈钢无腐蚀作用的气体介质间的微差压 Suitable for measuring the micro-difference value between two pressure of the gas medium, which does not explosion, crystal, solid, and does not corrosion to the Cr-Ni stainless steel
外壳/传动机构 Case/movement: 304/316L S.S. 测量元件(膜盒) Element(capsule): 316L S.S. 接头 Socket: 304/316L S.S. 不锈钢度盘白底黑字 Dial: SS, white, black lettering, 304S.S. 不锈钢黑色指针 Black pointer, 304S.S. 带安装后背板(后边) Mounting with back flange 低压侧介质进入壳体, 机芯、度盘、指针等壳内元件接触介质 The medium on the low-pressure side enters the case	外壳 Case: 304/316L S.S. 测量元件(膜片) Element(capsule): 316Ti S.S. 接头及接液部位 Socket and wetted part: 304/316L S.S. 传动机构 Movement: 304S.S. 度盘白底黑字, Dial: white, black lettering, 304S.S. 黑色指针, Black pointer, 304S.S. 带安装后背板(后边) Mounting with back flange
密封型壳体结构, 外壳防护等级 GB/T 4208 IP66 Airtight type case, protection Proof: GB 4208 idt IEC 60529 IP66	密封型壳体结构, 外壳防护等级 GB/T 4208 IP66 Airtight type case, protection Proof: GB 4208 idt IEC 60529 IP66
精确度 Accuracy: $\pm 2.5\%$ F.S. 测量范围 Measuring range CYE-114H: 0~1/1.6/2.5/4/6/10/16/25/40/60 kPa CYE-160H: 0~250/400/600Pa, 0~1/1.6/2.5/4/6/10/16/25/40/60 kPa 双向最大静压 Static pressure: CYE-114H $< 0.2$ MPa CYE-160H $< 0.15$ MPa	精确度 Accuracy: $\pm 2.5, 1.6\%$ F.S. 测量范围 Measuring range: 0~1/1.6/2.5/4/6/10 kPa 双向最大静压 Static pressure: 10kPa
连接规格 Connection: 2-M20 $\times$ 1.5M 或 2-内径 $\Phi 6$ 软管接头 Hosepipe I.D. $\Phi 6$ 其它规格可选 Other connection available 仪表应配三阀组或五阀组使用 The gauge should be used with 3-way manifold or 5-way manifold	连接规格 Connection: 2-M20 $\times$ 1.5M 或 2-内径 $\Phi 6$ 软管接头 Hosepipe I.D. $\Phi 6$ 其它规格可选 Other connection available 仪表应配三阀组或五阀组使用 The gauge should be used with 3-way manifold or 5-way manifold
正常工作环境温度 Ambient and medium temperature: $-25\sim 55^{\circ}\text{C}$ 正常工作环境振动条件 Shake-resistant grade: GB/T 17214.3 V.H.3 degree	正常工作环境温度 Ambient and medium temperature: $-40\sim 70^{\circ}\text{C}$ 正常工作环境振动条件 Shake-resistant grade: GB/T 17214.3 V.H.3 degree
可选项 Options: 固定安装支架(垂直或水平 2"管) Steady rest mounting(2" pipe) *不响应充油耐震 Dry only *不响应附带软管隔膜化学密封 This model could not with diaphragm seal	可选项 Options: 固定安装支架(垂直或水平 2"管) Steady rest mounting(2" pipe) *不响应充油耐震 Dry only *不响应附带软管隔膜化学密封 This model could not with diaphragm seal
执行标准 Executive standard: JB/T 12015-2014	执行标准 Executive standard: JB/T 12015-2014
	



## YCS 双针双管压力表 Double bourdon tubes pressure gauge

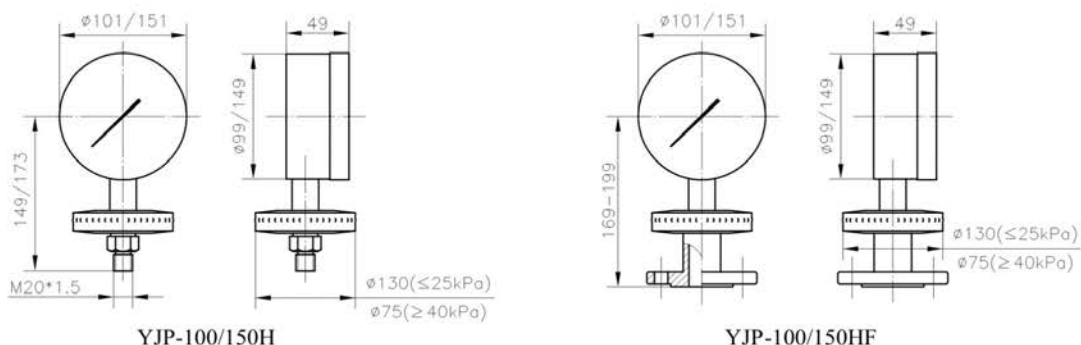
## YCSA 双针双管差压表 Double bourdon tubes differential pressure gauge

	
双针双管压力表/差压表	Double bourdon tubes pressure gauge /differential pressure gauge
YCS-100H/160H, YCSA-100H/160H 外径: $\Phi 100/160$	YCS-100H/160H, YCSA-100H/160H Diameter: $\Phi 100/160$
适用于独立测量两个流体介质的压力, 并通过计算或差压小度盘, 间接测量或指示两个压力间的差压	Suitable for measuring the pressure of two fluid media independently, and indirectly measuring or indicating the differential pressure between the two pressures through calculation or differential pressure small dial
外壳/传动机构: 304/316L S.S. 测量元件 (弹簧管): 316L S.S. 接头: 304/316L S.S. 铝度盘, 白底黑字 黑色指针	Case/movement: 304/316L S.S. Element (bourdon tube): 316L S.S. Socket: 304/316L S.S. Dial : aluminum, white, black lettering Black pointer
罩圈+螺钉式壳体结构 外壳防护等级 GB/T 4208 IP54 不响应充油耐震型	Cover ring + screw type case Protection proof: GB/T 4208 idt IEC 60529 IP54 Dry only
精确度: $\pm 1.6, 2.5\%$ F.S. 测量范围: 0-0.1/0.16/0.25/0.4/0.6/1/1.6/2.5/4/6/10 MPa 单边或双边最大静压与测量上限等值 YCSA 型带有差压小度盘, 直接指示两个压力间的差压 差压测量范围: $\pm 1/2$ 测量上限 $\pm 0.05/0.08/0.125/0.2/0.3/0.5/0.8/1.25/2/3/5$ MPa	Accuracy: $\pm 1.6, 2.5\%$ F.S. Range: 0-0.1/0.16/0.25/0.4/0.6/1/1.6/2.5/4/6/10 MPa Unilateral or bilateral maximum static pressure should equivalent to upper limit YCSA type with a differential pressure small dial, and directly indicate the differential pressure between two pressures Differential pressure range: $\pm 1/2$ of upper limit $\pm 0.05/0.08/0.125/0.2/0.3/0.5/0.8/1.25/2/3/5$ MPa
正常工作环境温度: $-40\sim 70^{\circ}\text{C}$ 正常工作环境振动条件: GB/T 17214.3 V.H.3 级 其它参数请参见 04.05 YTH	Ambient and medium temperature: $-40\sim 70^{\circ}\text{C}$ Shake-resistant grade: GB/T 17214.3 V.H.3 degree For other parameters, please refer to 04.05 YTH
连接规格: 2-M20 $\times$ 1.5 M, 其它规格可选 前后平行接头, 前“-”后“+” 仪表不必配套三阀组或五阀组	Connection: 2-M20 $\times$ 1.5 M, Other connection available Parallel sockets front “-”and rear “+” The gauge does not need to be equipped with 3-way manifold or 5-way manifold
安装方式: (无代号)- 径向直接式 T-径向墙装式 (后边)	Mounting type: (Non code) - Bottom mounting T - Bottom panel with back flange
执行标准: GB/T 1226-2017	Executive standard: GB/T 1226-2017
 <p style="text-align: center;">YCS-100H/160H</p>	 <p style="text-align: center;">YCSA-100H/160H</p>

## YJP 不锈钢膜片式绝压表 Stainless steel diaphragm type absolute pressure gauge

	
<p style="text-align: center;">YJP-100H/150H                  外径 Diameter: <math>\Phi 100/150</math>                  螺纹连接 Connection type: thread</p>	<p style="text-align: center;">YJP-100HF/150HF                  外径 Diameter: <math>\Phi 100/150</math>                  法兰连接 Connection type: flange</p>
<p>以绝对压力零位(绝对真空)为基准, 测量不受大气压力影响                  适用于无结晶或凝固倾向的腐蚀性气体和液体                  用于监测真空设备或绝对压力设备                  Use absolute pressure zero(absolute vacuum) as the benchmark, excluding the effect of barometric pressure variation                  Suitable for corrosion gaseous or liquid, which does not crystal or solid                  Used in monitoring vacuum equipment</p>	<p>以绝对压力零位(绝对真空)为基准, 测量不受大气压力影响                  适用于粘稠、含固或易结晶的腐蚀性气体和液体                  用于监测真空设备或绝对压力设备                  Use absolute pressure zero(absolute vacuum) as the benchmark, excluding the effect of barometric pressure variation                  Suitable for viscous, containing solid, easily crystalline corrosion gaseous or liquid                  Used in monitoring vacuum equipment</p>
<p>外壳 Case: 304S.S. (316L 可选 316L S.S. available)                  传动机构 Movement: 304S.S.                  铝度盘, 白底黑字, 黑色指针                  Dial: aluminum, white, black lettering, black pointer                  层压安全玻璃 Laminated safety glass</p>	<p>外壳 Case: 304S.S. (316L 可选 316L S.S. available)                  传动机构 Movement: 304S.S.                  铝度盘, 白底黑字, 黑色指针                  Dial: aluminum, white, black lettering, black pointer                  层压安全玻璃 Laminated safety glass</p>
<p>膜片(德国原产) Diaphragm: 316Ti S.S.                  螺纹接液 Wetted part: 304/316L S.S.</p>	<p>膜片(德国原产) Diaphragm: 316Ti S.S.                  法兰接液 Wetted part: 304/316L S.S.</p>
<p>全密封壳体结构 Airtight type case                  外壳防护等级 Protection proof: GB/T 4208 idt IEC 60529 IP66</p>	<p>全密封壳体结构 Airtight type case                  外壳防护等级 Protection proof: GB/T 4208 idt IEC 60529 IP66</p>
<p>精确度 Accuracy: <math>\pm 2.5, 1.6\%F.S.</math>                  测量范围 Range: 0~6/10/16/25/40/60kPa, 0~0.1/0.16/0.25MPa</p>	<p>精确度 Accuracy: <math>\pm 2.5, 1.6\%F.S.</math>                  测量范围 Range: 0~6/10/16/25/40/60kPa, 0~0.1/0.16/0.25MPa</p>
<p>仅提供径向安装方式 Mounting type: bottom mounting only                  连接规格 Connection: M20 <math>\times</math> 1.5                  其它规格可选 Other connection available</p>	<p>仅提供径向安装方式 Mounting type: bottom mounting only                  过程连接: 法兰标准及规格参见 06.01 MF                  Connection: Flange, refer to 06.01 MF</p>
<p>正常工作环境振动条件: GB/T 17214.3 V.H.3 级                  Shake-resistant grade: GB/T 17214.3 V.H.3 degree                  正常工作环境温度: -20~60<math>^{\circ}C</math>                  Ambient and medium temperature: -20~60<math>^{\circ}C</math></p>	<p>正常工作环境振动条件: GB/T 17214.3 V.H.3 级                  Shake-resistant grade: GB/T 17214.3 V.H.3 degree                  正常工作环境温度: -20~60<math>^{\circ}C</math>                  Ambient and medium temperature: -20~60<math>^{\circ}C</math></p>
<p>温度影响: 当使用环境温度偏离 20 <math>\pm</math> 5<math>^{\circ}C</math> 时, 仪表的示值误差影响量不大于 0.1% F.S./<math>^{\circ}C</math>                  Temperature impact: temperature additive errors should not above 0.1% F.S./<math>^{\circ}C</math>, when the temperature deviates from 20<math>\pm</math>5 <math>^{\circ}C</math>.</p>	<p>温度影响: 当使用环境温度偏离 20 <math>\pm</math> 5<math>^{\circ}C</math> 时, 仪表的示值误差影响量不大于 0.1% F.S./<math>^{\circ}C</math>                  Temperature impact: temperature additive errors should not above 0.1% F.S./<math>^{\circ}C</math>, when the temperature deviates from 20<math>\pm</math>5 <math>^{\circ}C</math>.</p>
<p>执行标准 Executive standard: Q/KY J 05.06-2012</p>	<p>执行标准 Executive standard: Q/KY J 05.06-2012</p>

### 外形尺寸 Dimensions:





## 定位型压力表 Pressure gauge with comparison pointers

## 记忆型压力表 Pressure gauge with maximum pointer

	
压力表定位指针装置 Comparison pointers for pressure gauge	压力表最大压力记忆指针装置 Maximum pressure memory pointer for pressure gauge
仪表外径 Diameter: Φ100/150	仪表外径 Diameter: Φ100/150
型号标记: 在仪表原型号后加 D, 如 YTH-100D Code: A suffix "D" add to the end of originally model For example YTH-100D	型号标记: 在仪表原型号后加 J, 如 YTH-100J Code: A suffix "J" add to the end of originally model For example YTH-100J
适用于安装在采用密封型壳体结构的压力表上, 例如 Suitable for enclose airtight type case pressure gauge, for example YTH(N)-100/150, YE(N)-100/150, YP(N)-100/150 YTQ(N)-100/160, YTN-100/150, YQF(N)-100/150, 等 etc.	适用于安装在采用密封型壳体结构的压力表上, 例如 Suitable for enclose airtight type case pressure gauge, for example YTH(N)-100/150, YE(N)-100/150, YP(N)-100/150 YTQ(N)-100/160, YTN-100/150, YQF(N)-100/150, 等 etc.
<p>仪表在现场指示被测压力值的同时, 具备预设及调整压力上(下)限参考值功能, 起到参照或警示作用。</p> <p>定位型压力表的压力指针为黑色, 上、下限设定针分别为红色及绿色。</p> <p>The comparison pointers could be indicated the effective pressure scope and could be adjusted of the limit pressure, to make warning and comparison to the users.</p> <p>The pressure gauge with comparison pointers has one black pressure pointer and two comparison pointers which are red and green. The green pointer could show the start point and the red pointer could show the finish point.</p>	<p>仪表在现场指示被测压力值的同时, 具备自动记忆仪表最大指示压力值的功能。</p> <p>记忆型压力表的压力指针为黑色, 记忆指针为红色。</p> <p>当压力上升时, 记忆指针随压力指针上升至最大实测值; 当压力指针随压力下降时, 记忆指针停留在最大实测值上。</p> <p>The pressure gauge with maximum pointer has one black pressure pointer and one red maximum pressure memory pointer.</p> <p>The memory pointer is carried by the pointer and left at the maximum pressure reached.</p> <p>The memory pointer is pushed up while the medium pressure increasing, but it will not move when the pressure decreasing.</p>
设定指针通过突出于表玻璃之外的外旋钮及“-”内旋钮来调整设定 设定装置具有自锁功能, 调整完成后无须锁紧 Separate turn the out button and “-” within button of the adjust device which outside window, to adjust the start point and finish point	记忆指针通过突出于表玻璃之外的旋钮来重新设定 记忆装置具有自锁功能, 调整完成后无须锁紧 Memory pointer is adjustable form the rotundity button on outside window
指针材质锰钢 设定装置本体材质铜镀铬 Pointer material: manganese steel Body material: brass chrome-plated	指针材质锰钢 记忆装置本体材质铜镀铬 Pointer material: manganese steel Body material: brass chrome-plated

## YQF 外卡式不锈钢(耐震)压力表 Stainless steel (shake-resistant) pressure gauge

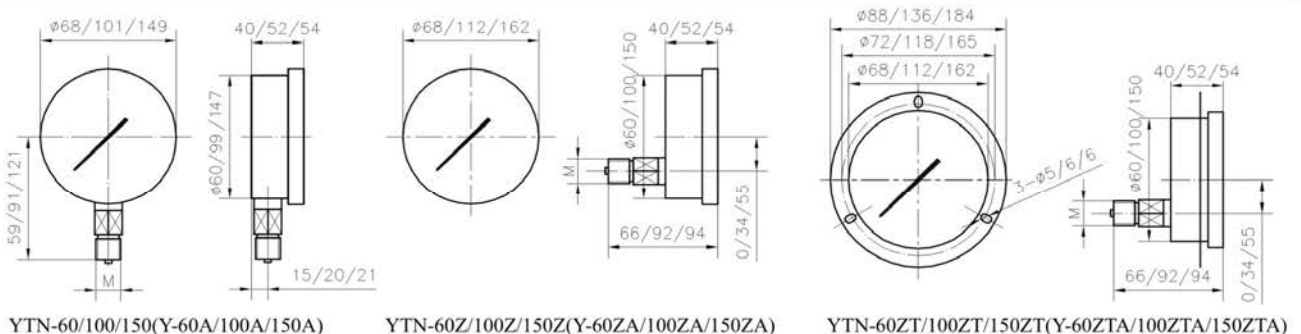
	
外卡式不锈钢压力表 Stainless steel pressure gauge (Outside bayonet) YQF-40/50 外径 Diameter: $\Phi 40/50$	外卡式不锈钢耐震压力表 Stainless steel shake-resistant pressure gauge (Outside bayonet) YQFN-40/50 外径 Diameter: $\Phi 40/50$
适用于测量无爆炸、结晶、凝固倾向，对奥氏体不锈钢无腐蚀作用的液体、气体等流体介质的正压、负压或正负压。 密封型壳体结构，适应户外安装条件。 Suitable for measuring the positive and negative pressure of the liquid, gas medium, which does not explosion, crystal, solid, and does not corrosion to the Cr-Ni stainless steel. Airtight type case, suitable for field mounting.	适用于测量无爆炸、结晶、凝固倾向，对奥氏体不锈钢无腐蚀作用的液体、气体等流体介质的正压、负压或正负压。 表壳内填充阻尼油，具备抗工作环境振动及介质压力脉动的能力。 Suitable for measuring the positive and negative pressure of the liquid, gas medium, which does not explosion, crystal, solid, and does not corrosion to the Cr-Ni stainless steel. With liquid filled case for applications with high dynamic pressure loads or vibrations.
密封型壳体结构 Airtight type case 外壳防护等级 Protection proof: GB/T 4208 idt IEC 60529 IP66 可选塑料防护衣 Protective coated available 外壳 Case: 304S.S. (316L 可选 316L S.S. available) 弹簧管 Bourdon tube: 316L S.S. 接头 Socket: 304/316L S.S. 测量系统采用氩弧焊 Measuring system: argon arc welding 铝度盘，白底黑字 Dial: aluminum, white, black lettering PC 安全玻璃 Safety glass 安全泄压装置：向上 Safety blow out: top.	密封型壳体结构 Airtight type case 外壳防护等级 Protection proof: GB/T 4208 idt IEC 60529 IP66 可选塑料防护衣 Protective coated available 外壳 Case: 304S.S. (316L 可选 316L S.S. available) 弹簧管 Bourdon tube: 316L S.S. 接头 Socket: 304/316L S.S. 测量系统采用氩弧焊 Measuring system: argon arc welding 铝度盘，白底黑字 Dial: aluminum, white, black lettering PC 安全玻璃 Safety glass 安全泄压装置：向上 Safety blow out: top.
安装方式 Mounting type: (无代号 Non code)- 径向直接式 Bottom mounting Z-轴向直接式 Back mounting	安装方式 Mounting type: (无代号 Non code)- 径向直接式 Bottom mounting Z-轴向直接式 Back mounting
精确度 Accuracy: $\pm 2.5, 1.6\%$ F.S. 量程 Span: 0.1MPa~10MPa 连接规格 Connection: M14*1.5 /M10 $\times$ 1 其它规格可选 Other connection available	精确度 Accuracy: $\pm 2.5, 1.6\%$ F.S. 量程 Span: 0.1MPa~10MPa 连接规格 Connection: M14*1.5 /M10 $\times$ 1 其它规格可选 Other connection available
正常工作环境振动条件: GB/T 17214.3 V.H.3 级 Shake-resistant grade: GB/T 17214.3 V.H.3 degree	正常工作环境振动条件: GB/T 17214.3 V.H.4 级 Shake-resistant grade: GB/T 17214.3 V.H.4 degree
正常工作环境温度 Ambient and medium temperature: $-40\sim 70^{\circ}\text{C}$ 安全工作介质温度 Safety medium temperature: $< 100^{\circ}\text{C}$ 温度影响: 当使用环境温度偏离 $20 \pm 5^{\circ}\text{C}$ 时，仪表的示值误差影响量不大于 0.04% F.S./ $^{\circ}\text{C}$	正常工作环境温度 Ambient and medium temperature: $-25\sim 55^{\circ}\text{C}$ 安全工作介质温度 Safety medium temperature: $< 100^{\circ}\text{C}$ 温度影响: 当使用环境温度偏离 $20 \pm 5^{\circ}\text{C}$ 时，仪表的示值误差影响量不大于 0.04% F.S./ $^{\circ}\text{C}$
执行标准 Executive standard: GB/T 1226-2017	执行标准 Executive standard: JB/T 6804-2006
 <p>YQF(N)-40</p>  <p>YQF(N)-40Z</p>	 <p>YQF(N)-50</p>  <p>YQF(N)-50Z</p>





## YTN 耐震压力表 密封型压力表 Shake-resistant pressure gauge

	
耐震压力表 Shake-resistant pressure gauge	密封型压力表 Airtight type pressure gauge
YTN-60/100/150 外径 Diameter: Φ60/100/150	Y-60A/100A/150A 外径 Diameter: Φ60/100/150
适用于测量无爆炸、结晶、凝固倾向，对铜合金无腐蚀作用的液体、气体等流体介质的正压、负压或正负压。表壳内填充阻尼油，从而具备抗工作环境振动及介质压力脉动的能力。 Suitable for measuring the positive and negative pressure of the liquid, gas medium, which does not explosion, crystal, solid, and does not corrosion to the copper alloy. With liquid filled case for applications with high dynamic pressure loads or vibrations.	适用于测量无爆炸、结晶、凝固倾向，对铜合金无腐蚀作用的液体、气体等流体介质的正压、负压或正负压。 密封型壳体结构，适应户外安装条件。 Suitable for measuring the positive and negative pressure of the liquid, gas medium, which does not explosion, crystal, solid, and does not corrosion to the copper alloy. Airtight type case, suitable for field mounting.
密封型壳体结构 Airtight type case 外壳防护等级 Protection proof: GB/T 4208 idt IEC 60529 IP66 外壳 Case: 304S.S. 弹簧管: 磷铜 Bourdon tube: phosphor bronze 接头: HPb59-1 黄铜 Socket: brass HPb59-1 测量系统采用 50%锡焊 Measuring system: 50% soft soldering 铝度盘, 白底黑字 Dial: aluminum, white, black lettering 安全玻璃 Safety glass 安全泄压装置: 向上 Safety blow out: top	密封型壳体结构 Airtight type case 外壳防护等级 Protection proof: GB/T 4208 idt IEC 60529 IP66 外壳 Case: 304S.S. 弹簧管: 磷铜 Bourdon tube: phosphor bronze 接头: HPb59-1 黄铜 Socket: brass HPb59-1 测量系统采用 50%锡焊 Measuring system: 50% soft soldering 铝度盘, 白底黑字 Dial: aluminum, white, black lettering 安全玻璃 Safety glass 安全泄压装置: 向上 Safety blow out: top
安装方式 Mounting type: (无代号 Non code)- 径向直接式 Bottom mounting Z-轴向直接式 Back mounting ZU-轴向带背卡(Φ60/100)Back mounting with U clamp ZT-轴向盘装式 Back panel with front flange	安装方式 Mounting type: (无代号 Non code)- 径向直接式 Bottom mounting Z-轴向直接式 Back mounting ZU-轴向带背卡(Φ60/100)Back mounting with U clamp ZT-轴向盘装式 Back panel with front flange
精确度 Accuracy: ±1.6, 1.0% F.S. (>Φ100), ±2.5, 1.6% F.S. (Φ60) 量程 Span: 0.1MPa~60MPa(>Φ100), 0.1MPa~40MPa(Φ60) 连接规格 Connection: M20×1.5(>Φ100), M14×1.5(Φ60) 其它规格可选 Other connection available	精确度 Accuracy: ±1.6, 1.0% F.S. (>Φ100), ±2.5, 1.6% F.S. (Φ60) 量程 Span: 0.1MPa~60MPa(>Φ100), 0.1MPa~40MPa(Φ60) 连接规格 Connection: M20×1.5(>Φ100), M14×1.5(Φ60) 其它规格可选 Other connection available
正常工作环境振动条件: GB/T 17214.3 V.H.4 级 Shake-resistant grade: GB/T 17214.3 V.H.4 degree	正常工作环境振动条件: GB/T 17214.3 V.H.3 级 Shake-resistant grade: GB/T 17214.3 V.H.3 degree
正常工作环境温度 Ambient and medium temperature: -25~55℃ 安全工作介质温度 Safety medium temperature: <100℃	正常工作环境温度 Ambient and medium temperature: -40~70℃ 安全工作介质温度 Safety medium temperature: <100℃
执行标准 Executive standard: JB/T 6804-2006	执行标准 Executive standard: GB/T 1226-2017

### 尺寸示意图 Dimensions:



## Y 一般压力表 气体压力表 氨压力表 General pressure gauge series

		
一般压力表 General pressure gauge	气体压力表 Special gas pressure gauge	氨压力表 Ammonia pressure gauge
Y-60/100/150/200/250 外径 Diameter: Φ60/100/150/200/250	YO-60/100/150, YY-60,100,150 等 etc. 外径 Diameter: Φ60/100/150	YA-100/150 外径 Diameter: Φ100/150
适用于测量无爆炸、结晶、凝固倾向，对铜合金无腐蚀作用的液体、气体等流体介质的正压、负压或正负压。 Suitable for measuring the positive and negative pressure of the liquid, gas medium, which does not explosion, crystal, solid, and does not corrosion to the copper alloy.	分别适用于测量氧气、乙炔、氢气、氩气、二氧化碳、丙烷、F12/F22 (冷媒) 等各种特定气体介质的正压、负压或正负压。 Special for measuring the positive and negative pressure of the appointed gas, for instance oxygen, acetylene, hydrogen, argon, CO <sub>2</sub> , LPG, F12/F22, etc.	主要适用于在化肥生产或制冷过程中测量氨气及液态氨的正压、负压或正负压。 Mainly suitable for measuring the positive and negative pressure of the gassy or liquid ammonia, which will be concerned in fertilization manufacture and the refrigeration equipment.
外壳: 08F 喷黑塑, Φ60: 08F 镀铬 弹簧管: 磷铜 接头: 黄铜 HPb59-1 测量系统采用 50%锡焊 铝度盘, 白底黑字 平板玻璃, 黑色指针 Case: 08F black plastic plated Φ60: 08F chromium plated Bourdon tube: phosphor bronze Socket: brass HPb59-1 Measuring system: 50% soft soldering Dial: aluminum, white, black lettering Plain glass, black pointer	外壳: 08F 喷黑塑, Φ60: 08F 镀铬 弹簧管: 磷铜 乙炔型为 H62 黄铜或 316L 不锈钢 接头: 黄铜 HPb59-1 测量系统采用 50%锡焊 铝度盘, 白底黑字 平板玻璃, 黑色指针 Case: 08F black plastic plated Φ60: 08F chromium plated Bourdon tube: phosphor bronze Acetylene type: brass H62 or 316L S.S. Socket: brass HPb59-1 Measuring system: 50% soft soldering Dial: aluminum, white, black lettering Plain glass, black pointer	外壳: 08F 喷黑塑 弹簧管: 316L 不锈钢 接头: 304 不锈钢 测量系统采用氩弧焊 铝度盘, 白底黑字 平板玻璃, 黑色指针 接液元件禁铜 不采用未经涂镀的铜制件 Case: 08F black plastic plated Bourdon tube: 316L S.S. Socket: 304S.S. Measuring system: argon arc welding Dial: aluminum, white, black lettering Wetting parts prohibit copper Plain glass, black pointer
罩圈+塑料衬圈+螺钉式结构 外壳防护等级 GB/T 4208 IP54 级 Protection proof: GB/T 4208 idt IEC 60529 IP54	罩圈+塑料衬圈+螺钉式结构 外壳防护等级 GB/T 4208 IP54 级 Protection proof: GB/T 4208 idt IEC 60529 IP54	罩圈+塑料衬圈+螺钉式结构 外壳防护等级 GB/T 4208 IP54 级 Protection proof: GB/T 4208 idt IEC 60529 IP54
精确度 Accuracy: ±1.6, 1.0% F.S. (> Φ100) ±2.5, 1.6% F.S. (Φ60)	精确度 Accuracy: ±1.6, 1.0% F.S. (> Φ100) ±2.5, 1.6% F.S. (Φ60)	精确度 Accuracy: ±1.6, 1.0%F.S.
量程 Span: 0.1MPa~60MPa (> Φ100) 0.1MPa~40MPa (Φ60)	量程 Span: 0.1MPa~60MPa (> Φ100) 0.1MPa~40MPa (Φ60)	量程 Span: 0.1MPa~160MPa
连接规格 Connection: M14×1.5 (Φ60), M20×1.5 (> Φ100) 其它规格可选 Other connection available	连接规格 Connection: M14×1.5 (Φ60), M20×1.5 (> Φ100) 其它规格可选 Other connection available	连接规格 Connection: M20×1.5 其它规格可选 Other connection available
执行标准 Executive standard: GB/T 1226-2017	执行标准 Executive standard: GB/T 1226-2017	执行标准 Executive standard: JB/T 9272-1999
	氧用型脱脂禁油 Oxygen type: prohibit oil	

### 正常工作条件 Operating conditions:

- |  |  |
|--|--|
| <ol style="list-style-type: none"> <li>1. 仪表的正常工作位置应处于垂直状态;</li> <li>2. 正常工作环境温度-40~70℃, 相对湿度不大于 85%, 安全工作介质温度: &lt;100℃;</li> <li>3. 正常工作环境振动应不超过 GB/T 17214.3 规定的 V.H.3 级;</li> <li>4. 仪表的压力部分一般使用至压力测量范围的 3/4;</li> <li>5. 温度影响: 当使用环境温度偏离 20±5℃时, 仪表的示值误差影响量不大于 0.04 F.S.%/℃。</li> </ol> | <ol style="list-style-type: none"> <li>1. Working should be in vertical position.</li> <li>2. Ambient and medium temperature: -40~70℃, relative humidity: &lt;85%. Safety medium temperature: &lt;100℃.</li> <li>3. Shake-resistant grade: GB/T 17214.3 V.H.3 degree.</li> <li>4. The working pressure: &lt;3/4 of the full scale.</li> <li>5. Temperature impact: temperature additive errors should not above 0.04% F.S./℃, when the temperature deviates from 20±5℃.</li> </ol> |
|--|--|





Y-100T



Y-100TQ



Y-100Z



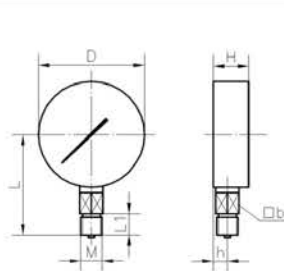
Y-60ZT



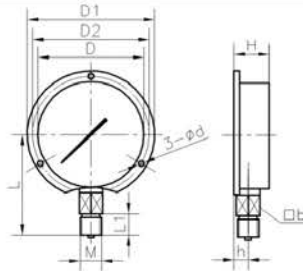
Y-150ZT



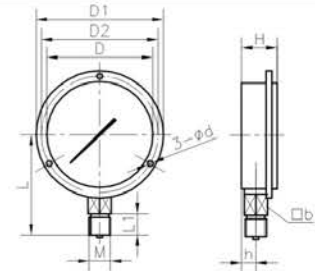
Y-1009

**尺寸示意图 Dimensions:**


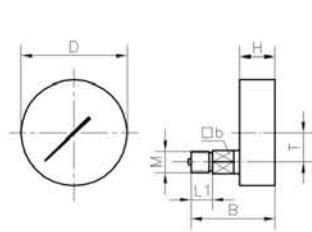
Y-60, Y-100, Y-150, Y-200, Y-250



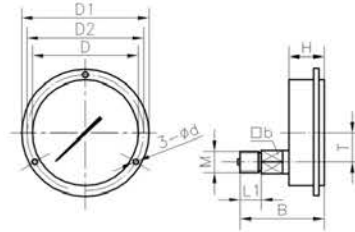
Y-60T, Y-100T, Y-150T, Y-200T, Y-250T



Y-60TQ, Y-100TQ, Y-150TQ, Y-200TQ, Y-250TQ



Y-60Z, Y-100Z, Y-150Z



Y-60ZT, Y-100ZT, Y-150ZT

	Y-60				Y-100				Y-150				Y-200	Y-250
	Z	T	TQ	ZT	Z	T	TQ	ZT	Z	T	TQ	ZT		
D	Φ60				Φ100				Φ150				Φ200	Φ250
D1					Φ133				Φ178					
D2					Φ118				Φ165					
d	Φ5				Φ6				Φ6					
H	30				44				47				51	
h	11	11		16	16		17	17		17		17		
L	54	54		86	86		111	111		140		165		
T	0		0		30		30		30		30			
B	57		57		83		83		86		86			
M	M14 × 1.5				M20 × 1.5									
L1	14				20									
b	11				17									

注：本公司秉承持续发展的策略，设计有更新的可能性。上述参数如有更改，恕不另行通知。详情请向本公司咨询。

**选型 How to order:**

范例：100型轴向盘装（前边）式氧压力表 Example: Oxygen pressure gauge, back panel with front flange, Φ100

	1-介质类型	2-公称直径	3-安装方式
Y	O	100	ZT

Code	安装方式 Mounting type	Φ60/100/150	Φ200/250
(无)	径向直接式 Bottom mounting	✓	✓
T	径向墙装式 Bottom with back flange	✓	×
TQ	径向盘装式 Bottom panel with front flange	✓	×
Z	轴向直接式 Back mounting	✓	×
ZT	轴向盘装式 Back panel with front flange	✓	×
9 (3)	侧装式(9点/3点) Side mounting, 9/3 o'clock	✓	×

介质	一般压力表	氨	氧气	乙炔	氢气	氩气	二氧化碳	丙烷	F12	F22
代号 Code	(无代号)	A	O	Y	H <sub>2</sub>	Ar	CO <sub>2</sub>	LPG	F12	F22

注：当用户对仪表接头螺纹规格、外壳涂镀、精确度等级、压力单位等事项有特殊要求时，应予以明示。

Note: clear declaration of special thread, case besmears, accuracy, measuring units, etc. are sincerely appreciated.

## YQ 气体减压器 Pressure regulator

产品名称 Products	氧气减压器 Oxygen pressure regulator				乙炔减压器 Acetylene pressure regulator	
用途 Application	适用于在焊接、切割及类似工艺过程中，对气瓶氧气进行调节和稳压，输出所需稳定的出口压力。 Suitable for welding, cutting and the similar processes, adjustment and level off the oxygen cylinder pressure, and output a steady outlet pressure.				适用于在焊接、切割及类似工艺过程中，对气瓶溶解乙炔进行调节和稳压。 Suitable for welding, cutting and the similar processes, adjustment and level off the acetylene cylinder pressure, and output a steady outlet pressure.	
工作条件 Operating conditions	正常工作环境温度-20~40℃； 环境压力为大气压力。 Ambient and medium temperature: -40~70℃， Ambient: atmospheric pressure.				正常工作环境温度-20~40℃； 环境压力为大气压力。 Ambient and medium temperature: -40~70℃， Ambient: atmospheric pressure.	
简述 Brief	自平衡式调压，输出压力可通过改变调压弹簧的预压缩量进行调节。 安全装置在输出压力意外超过设定值时，自动排放压力。 Self-balanced regulator, output pressure should be adjusted by changing the compression ratio of the spring. When the output pressure exceeding the set value, safety device should automatic discharge pressure.					
输入接口 Inlet connection	G5/8-F				M20×1.5 - 法兰 Frame	
输出接口 Outlet connection	M16×1.5, Φ8 软管接头 For rubber tube Φ8				M16×1.5-LH(左), Φ8 软管接头 For rubber tube Φ8	
型号 Model	YQY-08	YQY-07	YQY-1A	YQY-12	YQE-03	YQE-213
阀体直径 Valve diameter	Φ67	Φ67	Φ70	Φ70	Φ67	Φ70
输入压力 Input pressure	15MPa (<25MPa)	15MPa (<25MPa)	15MPa (<25MPa)	15MPa (<25MPa)	1.6MPa (<4MPa)	1.6MPa (<4MPa)
输出压力 Output pressure	0.1~2MPa	0.1~1.25MPa	0.1~2MPa	0.1~1.25MPa	0.01~0.15MPa	0.01~0.15MPa
额定流量 Rated flux	50m <sup>3</sup> /h	40m <sup>3</sup> /h	50m <sup>3</sup> /h	40m <sup>3</sup> /h	5m <sup>3</sup> /h	5m <sup>3</sup> /h
进口压力表 Inlet gauge	YO-60 0~25MPa	YO-60 0~25MPa	YO-60 0~25MPa	YO-60 0~25MPa	YY-60 0~4MPa	YY-60 0~4MPa
出口压力表 Outlet gauge	YO-60 0~4MPa	YO-60 0~2.5MPa	YO-60 0~4MPa	YO-60 0~2.5MPa	YY-60 0~0.25MPa	YY-60 0~0.25MPa
执行标准 Executive standard	GB/T 7899-2006				GB/T 7899-2006	
注意事项 Note	脱脂禁油 Prohibit oil  				建议设置回火防止装置（HF 型乙炔回火防止器） Use generally with the HF type acetylene countercurrent prevent equipment.  	



## 压力表附件 Gauge accessories



## 对焊式压力表接头 Welding type pipe nipple fitting for pressure gauge:

	型号	F-内螺纹	d-焊咀
	Model	Female	Nipple
	JT11	M20 × 1.5	Φ 14
	JT12	M20 × 1.5	Φ 16
	JT13	G1/2	Φ 14
	JT14	M14 × 1.5	Φ 8
材质 Material: 304/316L S.S. 带 PTFE 垫片 with PTFE gasket 端面密封 Sealed with end face			
	型号	F-内螺纹	d-焊咀
	Model	Female	Nipple
	JT15	R1/2	Φ 14
	JT16	1/2NPT	Φ 14
固定式 Immobility type 螺纹密封 Thread sealing 材质 Material: 304/316L S.S.			

	型号	F-内螺纹	d-焊咀
	Model	Female	Nipple
	JT15A	R1/2	Φ 14
	JT16A	1/2NPT	Φ 14
活动螺纹 Rotatable thread 螺纹密封 Thread sealing 材质 Material: 304/316L S.S.			
	型号	M-外螺纹	d-焊咀
	Model	Male	Nipple
	JT17A	R1/2	Φ 14
	JT18A	1/2NPT	Φ 14
活动螺纹 Rotatable thread 螺纹密封 Thread sealing 材质 Material: 304/316L S.S.			

## 过渡接头 Connection adapter for pressure gauge:

	型号	规格(M-F)	型号	规格(M-F)	型号	规格(M-F)
	Model	Specification	Model	Specification	Model	Specification
	JT21-0	M20*1.5(F)-M20*1.5(F)	JT22-0	M20*1.5(M)-M14*1.5(F)	JT23-0	M10*1(M)-M14*1.5(F)
	JT21-1	G1/2(M)-M20*1.5(F)	JT22-1	M20*1.5(M)-G1/2(F)	JT23-1	G1/4(M)-M14*1.5(F)
	JT21-2	R1/2(M)-M20*1.5(F)	JT22-2	M20*1.5(M)-R1/2(F)	JT23-2	R1/4(M)-M14*1.5(F)
	JT21-3	1/2NPT(M)-M20*1.5(F)	JT22-3	M20*1.5(M)-1/2NPT(F)	JT23-3	1/4NPT(M)-M14*1.5(F)
	JT21-4	M27*2(M)-M20*1.5(F)	JT22-4	M20*1.5(M)-G1/4(F)	JT23-4	G3/8(M)-M14*1.5(F)
	JT21-5	G3/4(M)-M20*1.5(F)	JT22-5	M20*1.5(M)-R1/4(F)	JT23-5	R3/8(M)-M14*1.5(F)
	JT21-6	R3/4(M)-M20*1.5(F)	JT22-6	M20*1.5(M)-1/4NPT(F)	JT23-6	3/8NPT(M)-M14*1.5(F)
	JT21-7	3/4NPT(M)-M20*1.5(F)	JT22-7	M20*1.5(M)-G3/8(F)	JT24-1	M14*1.5(M)-G1/4(F)
	JT21-8	M20*1.5(M)-M20*1.5(F)	JT22-8	M20*1.5(M)-R3/8(F)	JT24-2	M14*1.5(M)-R1/4(F)
			JT22-9	M20*1.5(M)-3/8NPT(F)	JT24-3	M14*1.5(M)-1/4NPT(F)
材质 Material: 304/316L S.S.						

## 卡套式接头 Compression fitting with ferrule:

	型号	公称压力	F-内螺纹	Do-配管外径
	Model	PN	Female	For pipe O.D.
	JT31	16MPa	M20 × 1.5, G1/2, R1/2, 1/2NPT	Φ 14/12/10/8/6
	JT32	16MPa	M14 × 1.5, G1/4, R1/4, 1/4NPT	Φ 8/6
材质 Material: 304/316L S.S. or HPb59-1 单卡套或双卡套 Single ferrule or double ferrules				

	型号	公称压力	M-外螺纹	Do-配管外径
	Model	PN	Male	For pipe O.D.
	JT33	16MPa	M20 × 1.5, G1/2, R1/2, 1/2NPT	Φ 14/12/10/8/6
	JT34	16MPa	M14 × 1.5, G1/4, R1/4, 1/4NPT	Φ 8/6
材质 Material: 304/316L S.S. or HPb59-1 单卡套或双卡套 Single ferrule or double ferrules				



**散热器 Radiator :**

型式 Type	型号 Model	公称压力 PN	散热效率 Radiation rate	F-内螺纹 Female	M-外螺纹 Male
片式散热器 Flake type	SR	60MPa	50-60% (150℃)	M20 × 1.5, G1/2, R1/2, 1/2NPT	
毛细管式散热器 Capillary type	SR2	16MPa	60-70% (200℃)		
硬管 Rigid tube	YL	60MPa	20-30% (120℃)		

用于降低介质温度对仪表带来的不利影响  
Suitable for lower the temperature on the negative impact of pressure gauge  
材质 Material: 304/316L S.S.

**冷凝圈 Siphon tube :**

型号 Model	公称压力 PN	还管规格 Do Pipe specification	F-内螺纹 Female	M-外螺纹 Male
LW	25MPa 40MPa 60MPa	Φ 14 × 2	M20 × 1.5 G1/2, R1/2, 1/2NPT	M20 × 1.5 G1/2, R1/2, 1/2NPT
LW2		Φ 14 × 3		
LW3		Φ 16 × 3		
LW4		Φ 18 × 4		
		Φ 14 × 4		

用于降低介质温度对仪表带来的不利影响，并兼具减震缓冲作用  
Suitable for lower the temperature on the negative impact of pressure gauge, and both the role of shock and cushioning  
材质 Material: 304/316L/321 S.S. etc.

**角形接头 Special angle adapter :**

型号 Model	F-内螺纹 Female	M-外螺纹 Male
GL	M20 × 1.5	M20 × 1.5, G1/2, R1/2, 1/2NPT

用于适应不同的安装位置  
Used to fit different mounting positions  
活动内螺纹 Rotatable female thread  
材质 Material: 304/316L S.S.

**毛细管 Capillary adapter :**

型号 Model: RL1/2/3/4/5/6/8/10 长度 Length: 1/2/3/4/5/6/8/10 m
用于适配不同的仪表安装位置 Used to fit different mounting positions 连接 M20 × 1.5 外-内，活动螺纹 M20 × 1.5 Male-Female, rotatable 316L 毛细管外套 304SS 舌簧管 316L capillary, 304S.S. bushing

**压力表法兰盖 Flange adapter :**

型号 Model	F-内螺纹 Female
FLG	M20 × 1.5

用于转换法兰和螺纹连接方式  
Suitable for conversion of flanges and threaded connections  
法兰规格参见 06.01  
Flange standard Re. 06.01  
材质 Material: 304/316L S.S.  
带 PTFE 垫片 with PTFE gasket

**配对法兰 Pairing flange :**

型号 Model	附件 Accessories
PD	带螺栓 Bolts

工艺侧连接法兰  
Used as a pipe side flange  
法兰规格参见 06.01  
Flange standard Re. 06.01  
材质 Material: 304/316L S.S.  
带 PTFE 垫片 with PTFE gasket





GY



GY



ZNQ

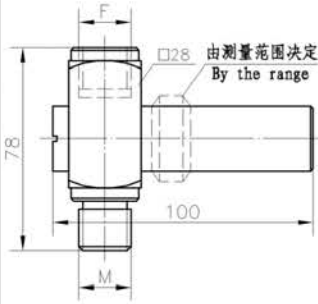


DP

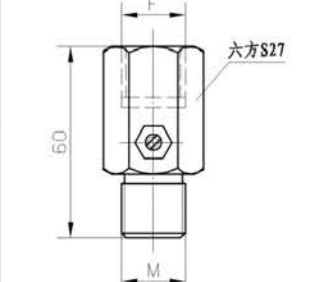


CXH

**过压保护器 Overload protection valve:**

	型号 Model	设定压力 Setting range	保护压力 Overload pressure	设定精度 Setting accuracy	工作温度 Working temperature	F-内螺纹 Female	M-外螺纹 Male
	GY	1 ~ 40MPa	<40MPa	± 4%	-25~120℃	M20 × 1.5, G1/2, R1/2, 1/2NPT	
		25kPa ~ 1MPa	<40MPa				
		1 ~ 16kPa	<5MPa				
用于自动切断过压, 保护仪表测量系统不被损坏 Suitable for cut off the overload-pressure, and protect the measuring system 材质 Material: 304/316L S.S. 用于粘稠类有堵塞倾向介质时, 应配隔膜化学密封 When using for crystal, solid and the similar mediums, please annexation by diaphragm seals							

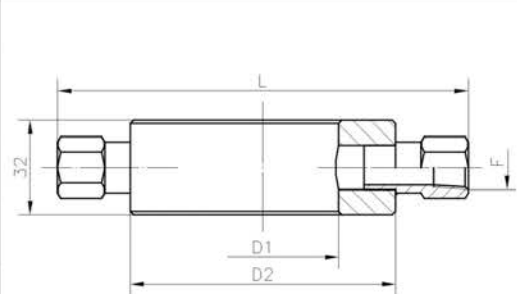
**阻尼器 Damper:**

	型号 Model	压力等级 PN	阻尼可调范围 Damp adjustable range	工作温度 Working temperature	F-内螺纹 Female	M-外螺纹 Male
	ZNQ	40MPa	0~100%	-25~120℃	M20 × 1.5, G1/2, R1/2, 1/2NPT	
用于减轻介质压力脉动对仪表测量系统的不利影响 Suitable for mitigate the adverse effects of media high dynamic pressure loads on measurement system 材质 Material: 304/316L S.S. 适用于洁净、非粘稠的介质, 用于粘稠类有堵塞倾向介质时, 应配隔膜化学密封 When using for crystal, solid and the similar mediums, please annexation by diaphragm seals						

**压力表垫片 Gasket for pressure gauge:**

	型号 Model	规格尺寸 D-d-C	适应螺纹 Purpose	材质 Material			
				PTFE	紫铜 T3 Copper T3	红钢纸板 Vulcanized fibre	304/316L S.S.
	DP	Φ 18-Φ 8×2	M20 × 1.5, G1/2	✓	✓	✓	×
		Φ 12-Φ 6×2	M14 × 1.5, G1/4	✓	✓	×	×
Φ 15-Φ 8×4 菱形 rhombus		M20 × 1.5, G1/2	×	✓	×	✓	

**冲洗环 Flushing ring**

	型号 Model	CXH
	简述 Briefing	方便进行吹扫冲洗, 以避免堵塞 Easy to purge and wash, to avoid clogging 适应法兰安装 Adapt to flange installation
	冲洗连接 Flush connection	1/2NPT(F), 1/4NPT(F)
	规格 Specification	DN15/20/25/32/40/50/65/80 (0.75/1/1.25/1.5/2/2.5/3") PN10/16/25/40/63/100 (Class 150/300/600/900)
	材质 Material	304/316L S.S.
	选项 Option	冲洗一端或两端带球阀 One or both ends of the flush port with ball valve



压力表截止阀 Needle valve for pressure gauge :

外螺纹-活动内 M-F, Rotatable	焊咀-活动内 Nipple-F, Rotatable	焊咀-焊咀 Nipple-nipple	外螺纹-外螺纹 Male-Male	内螺纹 (固定式) F-F, Immobility
规格 Specification: DN6, PN160/250/400bar.	材质 Material: 304/316L S.S.			

范例：内外螺纹截止阀 M20 × 1.5M-F, 活动内螺纹 Example: Male-female needle valve, M20 × 1.5M-F, Rotatable female thread, DN6PN160

压力表截止阀 Needle valve	1-进口连接规格 Inlet connection	2-出口连接规格 Outlet connection	3-活动螺纹 Rotatable thread	4-材质 Material	5-规格 Specification
FZ	1	2	A		DN6PN250

代码 Code	本体及接液材质 Body and wetted material
(无 Non)	304S.S.
316L	316L S.S.

代码 Code	连接规格 connection	代码 Code	连接规格 connection
1	M20 × 1.5 (M)外	6	R1/2(F)内
2	M20 × 1.5 (F)内	7	1/2NPT(M)外
3	G1/2(M)外	8	1/2NPT(F)内
4	G1/2(F)内	9	焊咀 Nipple Φ14
5	R1/2(M)外	0	卡套 Ferrule

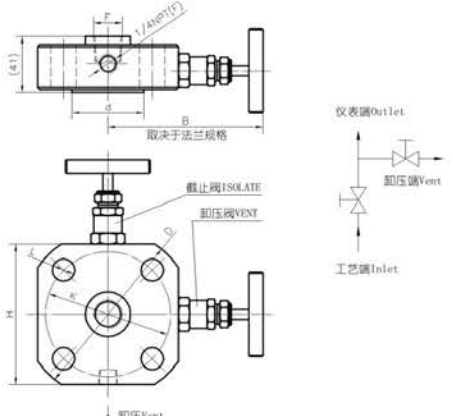
代码 Code	内螺纹型式 Type
(无 Non)	固定式 Immobility female
A	活动内螺纹 仅 M20 × 1.5(F), G1/2(F)可提供 Rotatable female thread M20 × 1.5(F), G1/2(F)only

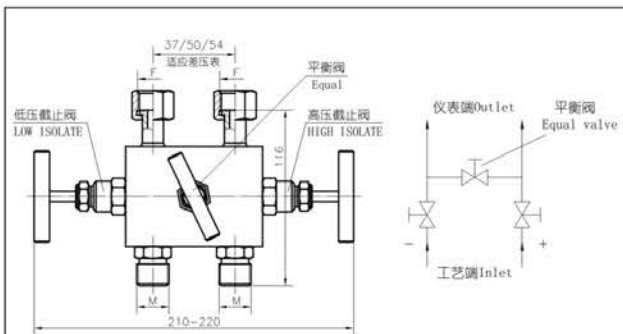
压力表二阀组 2 valve-manifold for pressure gauge

	型号 Model	2FZ
	简述 Briefing	具有卸压排放或在线检测功能 Provide the function of vent or on-line detection function 切断阀带卸压阀 Isolate vavle, integrated vent vavle
	进口连接 Inlet connection	外螺纹 Male thread M20 × 1.5, G1/2, R1/2, 1/2NPT
	出口连接 Outlet connection	内螺纹或外螺纹 Female (male) thread M20 × 1.5, G1/2, R1/2, 1/2NPT
	卸压口连接 Vent connection	内螺纹 Female thread 1/4NPT(F)
	规格 Specification	DN6, PN160/250/400
	材质 Material	304/316L S.S.

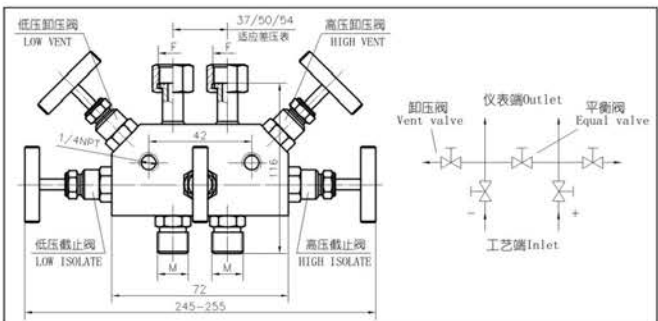



**法兰式二阀组 Flange type 2 valve-manifold**

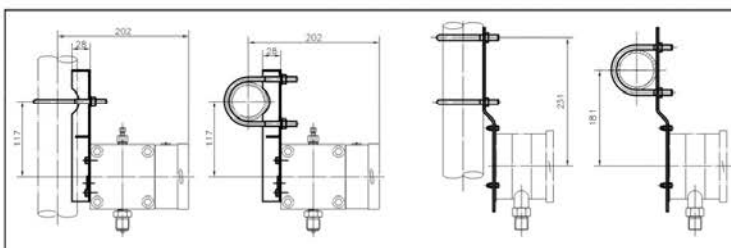
	型号 Model	2FZF
	简述 Briefing	提供卸压排放或在线检测功能 Provide the function of vent or on-line detection function 切断阀带卸压阀 Isolate valve, integrated vent valve
	进口连接 Inlet connection	法兰, 标准及规格参见 06.01 MF Flange, refer to 06.01 MF
	出口连接 Outlet connection	内螺纹 Female thread M20 × 1.5, G1/2, R1/2, 1/2NPT
	卸压口连接 Vent connection	内螺纹 Female thread 1/4NPT(F)
	规格 Specification	DN3, PN10/16/25/63/160/250/400 Class 150/300/600/900/1500/2500
材质 Material	304/316L S.S.	

**差压表三阀组 3 valve-manifold for differential pressure gauge**


型号 Model	3FZ
结构 Configuration	两组切断阀, 带平衡阀 Two isolate valves, integrated equal valve
进口连接 Inlet connection	外螺纹 Male thread M20 × 1.5, G1/2, R1/2, 1/2NPT
出口连接 Outlet connection	活动内螺纹 Rotatable female thread M20 × 1.5, G1/2, R1/2, 1/2NPT
规格 Specification	DN6, PN160/250/400
材质 Material	304/316L S.S.

**差压表五阀组 5 valve-manifold for differential pressure gauge**


型号 Model	5FZ
结构 Configuration	两组切断阀和卸压阀, 带平衡阀 Two isolate and vent valves, integrated equal valve
出口连接 Outlet connection	外螺纹 Male thread M20 × 1.5, G1/2, R1/2, 1/2NPT
出口连接 Outlet connection	活动内螺纹 Rotatable female thread M20 × 1.5, G1/2, R1/2, 1/2NPT
卸压口规格 Vent connection	内螺纹 Female thread 1/4NPT(F)
规格 Specification	DN6, PN160/250/400
材质 Material	304/316L S.S.

**差压表安装支架 Mounting bearing for differential pressure gauge**


型号 Model	ZJ
材质 Material	304 S.S.
简述 Briefing	用于将仪表挂在 2" 横管或竖管上 Used to mount the gauge on a 2" horizontal tube or vertical tube 仪表通常采用毛细管连接 The gauge is usually connected with capillary

## 企业资质 Qualification

序号	名称	证书号
1	营业执照	915001017717601205
2	制造计量器具许可证	渝制 00000658 号
3	计量标准考核证书	2019 渝量标企证字第 0210 号
4	计量器具型式批准证书	型批渝[2011]038, [2016]067, [2019]041
5	高新技术企业	GR201851100625
6	全国压力仪表行业协会常务理事	
7	压力仪表标准化技术委员会委员	
8	重庆名牌产品	CQMP No20170144
9	全国质量信得过产品	中检协(2016)HBCP190 号
10	CE 认证	No.2W160830.CKITQ58
11	哈萨克斯坦计量认证	KZ.02.02.05705-2017, KZ.02.02.05711-2017
12	防爆电气设备防爆合格证	CNEx16.3901
13	ISO9001 质量管理体系认证	016CQ18Q30210R1S
14	压力表产品专利	6364792 等 24 项

## 产品执行标准-规程 Product executive standard

序号	名称	标准号
1	一般压力表	GB/T 1226-2017
2	精密压力表	GB/T 1227-2017
3	船用压力表	JB/T 5527-2005
4	氨压力表	JB/T 9272-1999
5	电接点压力表	JB/T 9273-1999
6	膜盒压力表	JB/T 9274-1999
7	膜片压力表	JB/T 5491-2005
8	抗震压力表	JB/T 6804-2006
9	远传压力表	JB/T 10203-2000
10	隔膜式压力表	JB/T 8624-1997
11	膜片式差压表	JB/T 12015-2014
12	爆炸性环境 第 1 部分: 设备 通用要求	GB 3836.1-2010
13	爆炸性环境 第 4 部分: 由本质安全型“i”保护的设	GB 3836.4-2010
14	焊接、切割及类似工艺用气瓶减压器	GB/T 7899-2006
15	弹性元件式一般压力表、压力真空表和真空表	JJG 52-2013 (国家计量检定规程)
16	弹性元件式精密压力表和真空表	JJG 49-2013 (国家计量检定规程)
17	压力表出厂检验规范	Q/KY J02.04-2018 (企标)



## 近年应用业绩 Typical performance

石化/油气	中国石油天然气集团公司 中国石油化工集团公司 中石化洛阳工程有限公司 中国海洋石油总公司 中海石油东营石化有限公司 川庆石油钻探研究院 浙江石油化工有限公司 山东鲁清石化有限公司 江苏斯邦石化有限公司 陕西延长石油集团有限责任公司 中谷石化(珠海)集团有限公司 东营联合石化有限责任公司	框架协议: 兰州石化、锦西石化、玉门油田、浙江油田、川庆钻探公司, 等 框架协议: 西南油气、胜利油田、齐鲁、茂名、武汉、巴陵、广州、东北油气分公司, 等 哈萨克斯坦阿特劳炼油厂石油深加工联合装置、洛阳炼化, 等 曹妃甸作业公司、伊拉克油田项目, 等 升级改造及配套工程 欠平衡装置 4000 万吨/年炼化一体化项目 框架协议 120 万吨/年异辛烷叠合项目, 等 丙烯腈扩能技术改造、EOC 装置、MMA 装置, 等 靖边 969 井区地面集输工程、延安煤油气资源综合利用, 油气勘探公司、延安石化, 等 珠海裕隆、中鑫石化项目 260 万吨/年重油加氢裂化及配套, 升级改造等
化工/煤化	神木富油能源科技有限公司 神华集团 宁煤集团有限公司 山东华鲁恒升化工股份有限公司 湖北宜化集团 中昊晨光化工研究院有限公司 辽宁宝来化工股份有限公司 东营威联化学有限公司 宜宾天原海丰和锐有限公司 乐山福华通达农药科技有限公司 富德(常州)能源化工有限公司 内蒙古伊泰化工有限责任公司 陕西未来能源化工有限公司 中煤陕西榆林能源化工有限公司	50 万吨/年煤焦油全馏分加氢制环烷基油 新疆煤化工、榆林煤制油、鄂尔多斯煤制油、包头煤化工, 等 400 万吨/年煤炭间接液化示范项目, 等 框架协议 湖北宜化、内蒙古宜化、鄂尔多斯宜化、重庆宜化、青海宜化, 等 自贡富顺项目, 氟化一厂大修、5000 吨悬浮树脂, 等 轻烃综合利用、100 万吨蒸汽裂解、国五套, 等 年产 60 万吨己内酰胺项目一期 200 万吨/年对二甲苯 盐磷化工循环产业 8 万吨/年甘氨酸技改、热电、I 项目, 等 100 万吨/年甲醇制烯烃、50 万吨/年苯乙烯、30 万吨/年聚丙烯装置, 等 太原化工迁建及配套、寿阳化工配套, 清徐化工新材料园区、平定 40 万吨乙二醇, 等 兖矿榆林 100 万吨/年煤间接液化示范项目, 等 60 万吨/年 DMT0, 等
电力/环保	神华国华国力有限公司 约旦 ACWA 电力公司 通用电气上海电力技术有限公司 中电西南电力设计院有限公司 中国成达工程有限公司 国电投河南电子有限公司 新疆准东特变能源有限责任公司 光大环保中国有限公司 广州维港环保科技有限公司 国电投远达环保工程有限公司 三峰卡万塔环境产业有限公司	印尼爪哇 7 号 2×1050MW 燃煤发电机组 JHussein 扎尔卡联合循环燃气轮机 CCGT 项目 迪拜 Hassyan 电厂项目 越南海阳 2x600MW 燃煤电厂工程 印尼 KALTIM 2 2×100MW 燃煤电站、神华重庆铜锣碛太阳能电池产业化, 等 焦作丹河电厂异地扩建 2×1000MW 机组 五彩湾北一电厂 2×660MW 机组 雅安、盐城、吉安、嘉祥、菏泽、临沐、莱阳、凤阳、湘阴、上饶等多个环保发电项目 赣州、泉州、九江、南平、翔安、东莞、成都、佛山、北部湾等多个危废处理项目 魏桥汇盛、魏桥宏正等多个节能环保改造项目 汕尾、红庙、南平等多个垃圾发电项目
冶金钢铁	中冶南方工程技术有限公司 中冶赛迪工程技术股份有限公司 中冶京诚工程技术有限公司 中色国际贸易有限公司 酒钢牙买加 Alpart 氧化铝厂 上海宝钢湛江钢铁有限公司 江西新余钢铁股份有限公司 广西盛隆冶金有限公司 江西铜业股份有限公司	日照钢铁转炉、太钢冷轧酸洗工程、马钢二铁高炉、闽源钢铁高炉、晋南钢铁高炉等 河北东海特钢集团板坯连铸成套工程 武安市裕华钢铁 1#120T 吨转炉除尘改造, 等 刚果(金)卢阿拉巴 400kt/a 铜精矿(干)粗铜冶炼 升级改造提产 200 万吨项目 湛江搬迁项目、2250 加热炉工程, 等 框架协议 2×1680m <sup>3</sup> 高炉工程 贵溪冶炼厂
其它	中船重工重庆远风机械有限公司 东方电气集团有限公司 中核湖南 272 铀业有限公司 中国电子系统第二建设有限公司 江西兄弟医药有限公司 内蒙古通威高纯晶硅有限公司 四川永祥新能源有限公司	舰用空压机项目 框架协议: 东方汽轮机、东方锅炉、东方电机 铀转化工程 眉山通威年产 3.2GW 晶体硅太阳能电池 维生素、氰基吡啶、801、802 车间, 等 2.5 万吨高纯多晶硅 2.5 万吨高纯多晶硅



地址：中国 重庆 CHONG QING.PRC

电话：023-58803316

传真：023-58803069

网址：[www.kunlunyb.com](http://www.kunlunyb.com)

邮箱：[cqkunlun@vip.tom.com](mailto:cqkunlun@vip.tom.com)

## 川仪在用户身边 用户在川仪心中

SIC ACCOMPANIES CUSTOMERS AND CUSTOMERS IN THE HEART OF SIC